



**WOODSTOVES.COM**

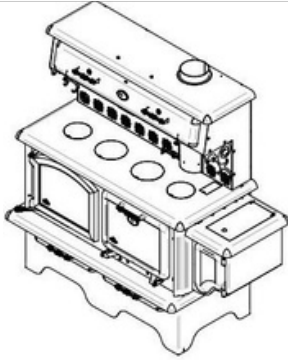
HEAT YOUR HOME. FUEL YOUR LIFE.

PLEASE READ CAREFULLY AND KEEP THIS MANUAL FOR FUTURE REFERENCE

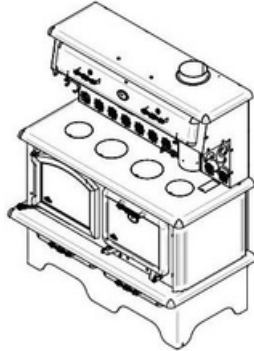
# Instruction Manual

## CUISINIÈRE

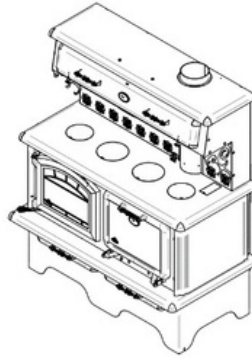
STRATO



CUISINIÈRE 3.0



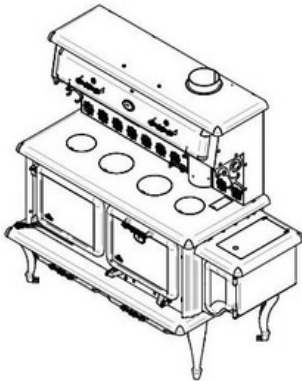
CUISINIÈRE TOR 3.0



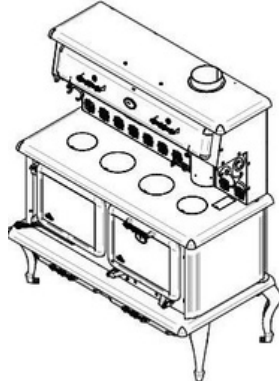
EXO



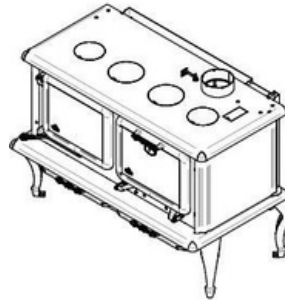
NEWTON



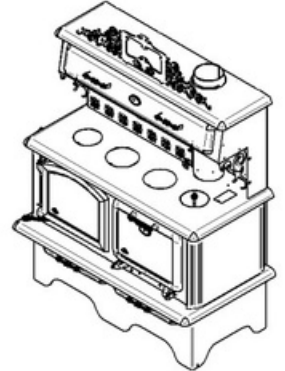
CUISINIÈRE SE 3.0



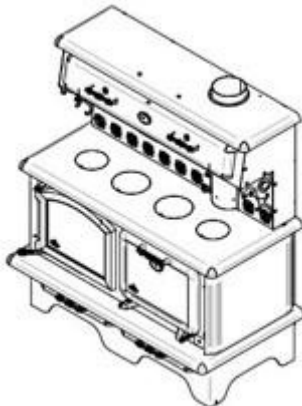
MICHIGAN



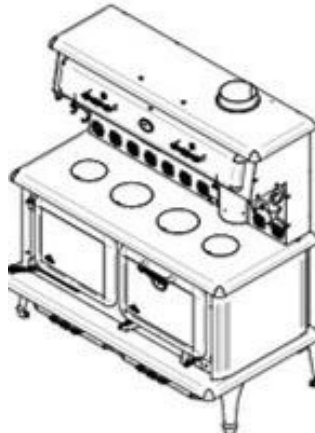
CUISINIÈRE HH 3.0



CUISINIÈRE



CUISINIÈRE SE



We recommend that our woodburning hearth products be installed and serviced by professionals who are certified in Canada by Wood Energy Technical Training (WETT).



Intertek

Tested and listed to  
ULC STD S627  
CAN/CSA STD B415.1

# TABLE OF CONTENT

Introduction .....	3	Installation of Air Intake Pipe.....	25
Listing and code approvals .....	3	Air Inlet Obstruction .....	25
Appliance certification .....	3	Replacement stainless steel tubes .....	26
BTU & Efficiency Specifications .....	3	<i>Stainless steel tubes Installation</i> .....	26
Efficiency .....	3	Operating Instructions.....	27
Warning .....	3	Control of primary and secondary air admission .....	27
Rating plate .....	4	Lightning fire .....	27
Appliance dimensions .....	5	First fire .....	27
Specifications .....	8	Keeping a fire .....	27
Clearances to combustibles materials .....	9	Operation of cooking holes.....	28
Installation .....	10	Storage of the cooking hole handle .....	28
Fire Prevention .....	10	Storage of warming oven handle .....	28
Smoke and carbon monoxide emissions and monitors.....	10	Opening and closing of warming oven.....	29
Floor protection .....	10	Usage of oven for cooking.....	29
Dimension of floor protection plate .....	10	Wood storage .....	29
Minimum clearances to combustible material .....	12	Maintenance .....	30
Assembling the diverter handle .....	13	Ash Removal .....	30
Assembly before installation .....	14	Ash Disposal .....	30
Warming oven top Assembly.....	14	Creosote Formation .....	30
Firebricks installation .....	16	Chimney Inspection .....	30
Back firebricks installation .....	16	Chimney Sweeping.....	30
Side firebricks installation .....	16	Door maintenance .....	31
Floor firebricks installation .....	16	Air Tighten Adjustment .....	31
Firebricks installation on the pipes .....	17	Cleaning up glass .....	31
Firebox configuration & part list .....	18	Disassembly and reassembly of door .....	31
General steps of stove installation .....	19	Replacing broken glass .....	31
Chimney connector installation .....	20	Replacing glass fiber rope .....	32
Installation in a mobile home .....	20	What to do in case of Chimney Fire .....	32
General steps of chimney installation .....	21	Annex 1 .....	33
Vertical Installation Inside Masonry Chimney .....	22	Door assembly .....	33
Outside Vertical Installation .....	22	Wood Stove Door .....	33
Vertical Installation on Cathedral Roof.....	23	Oven Door.....	34
Offset Vertical Installation .....	23	Annex 2 .....	35
Vertical Installation.....	24	Replacement parts .....	35
Combustion air intake .....	25	J. A. Roby Limited Lifetime warranty .....	36
Exterior Air Intake pipe .....	25		

# Introduction

Read all instructions carefully before installing your new J. A. ROBY wood cookstove. A proper installation is very important for a safe and effective use of your stove. If you have any doubts about the installation of your appliance correctly, we suggest to call a professional installer. A wrong installation may result in a fire, injury or loss of life.

Keep these instructions for future use.

This appliance must be connected to

- A type factory-built chimney approved ULC S629 with 6 inches diameter (15.24 cm);
- A conforming masonry chimney of 6 inches diameter (15.24cm) with qualified internal lining

N.B: Please be aware that the local codes and regulations might be more specific than this manual. You can consult a professional installer, the Fire Department or local authorities about restriction on installation of solid-fuel burning appliances.

## Listing and code approvals

### Appliance certification

The appliance meets the CSA B415.1 cord wood emission standard.

This appliance also meet:

- ULC S627-2021 Standard for Space Heaters for Use with Solid Fuels.

### BTU & Efficiency Specifications

- LHV efficiency : 79.46%
- HHV efficiency : 73.85%
- Particle emission : 1.02 g/h
- Particle emission : 0.043 g/MJ
- Minimum burn rate 0.99 Kg/hr
- Minimum Heat Output\* : 14 460 BTU/hr
- Maximum Heat Output\* : 51 865 BTU/hr
- Vent size 6"
- Firebox size 1.99 cubic feet
- Recommended wood length: 15 inches
- Chamber combustion depth: 20 inches
- Fuel Orientation: front to rear.
- Fuel: Seasoned cord wood.

\* A range of BTU outputs based CSA B415.1 Default Efficiency and the burn rates from the low and high CSA B415.1 emission tests, using cord wood.

### Efficiency

The average of the efficiency of the stove is 76.6%. When the seasoned wood has lower moisture, the efficiency will be better. When the outside temperature is really cold, it is important to create a good draft in chimney. When the appliance is in the basement, the chimney is higher than if the appliance would be in the main living area. The draft will be better because we have more length of chimney.

## Warning

**-DO NOT USE CHEMICALS OR FLUIDS TO START THE FIRE**

**-DO NOT BURN GARBAGE OR FLAMMABLE FLUIDS**

**If this appliance is in an area where children may be near, it is recommended that you place a decorative barrier in front of the appliance.**

**HOT WHILE IN OPERATION. KEEP CHILDREN, CLOTHINGS AND FURNITURES AWAY. CONTACT MAY CAUSE SKIN BURNS**

**N.B: BE WARNED THAT THE LOCAL CODES AND RULES CAN HAVE MORE SPECIFIC REQUIREMENT THAN THIS MANUAL. YOU CAN CONSULT A PROFESSIONAL INSTALLER, OR ASK FIRE OFFICIALS OR LOCAL AUTHORITY ABOUT RESTRICTION AND INSTALLATION INSPECTION IN YOUR AREA.**

**YOU MIGHT NEED TO OBTAIN A PERMIT FOR INSTALLING CHIMNEY AND STOVE.**

**DO NOT CONNECT THIS APPLIANCE TO A CHIMNEY FLUE SERVING ANOTHER APPLIANCE.**

**DO NOT CONNECT TO OR USE IN CONJUNCTION WITH ANY AIR DISTRIBUTION DUCTWORK UNLESS SPECIFICALLY APPROVED FOR SUCH INSTALLATIONS.**

**THIS APPLIANCE IS BUILT FOR BURNING SEASONED CORDWOOD ONLY. USE OF ANY OTHER TYPE OF FUEL LIKE COAL/ CONSTRUCTION WOOD/ TREATED WOOD/ FLAMABLE LIQUID/ TRASH/ OR ANY FLAMABLE THING CAN OVERFIRE AND DAMAGE THE STOVE.**

**THE ROOM HEATER SHALL NOT BE INSTALLED IN A FACTORY-BUILT FIREPLACE.**

**DO NOT INSTALL IN AN ALCOVE**

**DO NOT CONNECT THIS APPLIANCE TO A CHIMNEY FLUE SERVING ANOTHER APPLIANCE.**

# Rating plate

rev.2

MFG DATE / DATE DE FABRICATION

2022

2023

2024

2025

2026

2027

2028

2029

2030

2031

2032



FABRIQUÉ AU CANADA  
PAR:  
MADE IN CANADA BY:

**J.A. ROBY INC.**

Au cœur de la chaleur  
Warmh from the heart  
of J.A. Roby Inc.  
490 rue de l'Argon, Québec, Canada,  
G2N 2C9

NE PAS ENLEVER CETTE ÉTIQUETTE / DO NOT REMOVE THIS LABEL  
POÊLE À COMBUSTIBLES SOLIDES HOMOLOGUÉ /  
LISTED SOLID FUEL BURNING SPACE HEATER

MODÈLES non approuvé maison mobile / MODELS mobile home not approved:  
■ Cuisinière ■ Strato ■ Cuisinière 3.0 ■ Exo

**EMISSION RATE- g/hr [g/MJ] - TAUX D'ÉMISSION :** 1.02 g/hr [0.043g/MJ]  
HHV Efficiency : 73.85% LHV Efficiency : 79.46% VOLUME : 1.99 cubic feet/pieds cube  
MINIMUM HEAT OUTPUT : 14 460 BTU/h : PUISSANCE DE CHAUFFAGE MINIMUM  
MAXIMUM HEAT OUTPUT : 51 865 BTU/h : PUISSANCE DE CHAUFFAGE MAXIMUM

Certifié selon / Certified to: **ÉMISSION / EMISSION: CSA B415.1** **SÉCURITÉ / SAFETY: ULC S627**

**W/H-**

Dégagements minimaux aux matériaux combustibles avec tuyau à parois simple  
-Minimum clearances to combustibles material with single wall connector



A: 18"  
B: 18"  
C: 16 3/8"  
D: 7 1/2"  
E: 8"  
F: 18"  
G: 12"  
H: 44 1/2"

- Utiliser seulement une cheminée pré-fabriquée approuvée ULC S629 ou une cheminée de maçonnerie avec un revêtement intérieur homologué de 6 pouces. Utiliser du tuyau 24ga pour le raccordement à l'appareil.
- Installer et utiliser seulement conformément aux instructions du manuel d'installation et d'utilisation du fabricant. Renseignez-vous auprès des responsables locaux de la construction et de la prévention des incendies au sujet des restrictions et inspections des installations dans votre région.
- Cet appareil doit être installé sur la base incluses selon les directives du manuel d'installation.
- Cet unité doit être installée sur un protège plancher incombustible de dimensionné selon le dessin ci-haut. VOIR LES LETTRES E et F
- Toujours s'assurer que l'admission d'air n'est pas obstruée et est ouverte
- Ne pas surchauffer, si le poêle ou le collet de la cheminée deviennent rouge le poêle surchauffe.
- Ne pas brancher cet appareil sur une cheminée servant à un autre appareil. Au Canada utiliser la norme CAN/CSA B365 pour savoir comment faire.
- Inspecter et nettoyer la cheminée fréquemment. Sous certaines conditions d'opération le crésote peut s'accumuler rapidement
- Ne pas utiliser de chenets ou de grilles pour élever le feu.
- Préparer le feu directement sur l'âtre.
- Remplacer la vitre par un verre de céramique de 4mm d'épaisseur.
- Pour une utilisation avec du bois de chauffage seulement - NE PAS BRÛLER AUCUN AUTRE COMBUSTIBLE.
- Brûler avec la porte fermée.

- Use Only 6 Inches (152.4 mm) certified ULC S629 factory built chimney or a code approved masonry chimney with a 6 inches flue liner. Use 24 ga black chimney connector.
- Install and use only in accordance with manufacturer's installation and Operating Instructions. Contact local building officials about restrictions and installation inspection in your area.
- This appliance must be installed with the base provided, attached as shown in the installation manual.
- This Appliance Must Be Placed on a non-combustible floor protection like schematic dimension above. SEE LETTERS E and F
- Always be sure that the external air vents are not obstructed and open.
- Do Not Overfire - If heater or chimney connector glows, You are overfiring.
- Do Not Connect This Unit to a Chimney Serving Another Appliance. In Canada USE CAN/CSA B365 to know how to do.
- Inspect And Clean Chimney Frequently - Under Certain Conditions Of Use, Creosote Buildup May Occur Rapidly.
- Do Not Use Green or Elevated Firebuild Wood.
- Fire Directly Up Hearth.
- Replace Glass Only With Ceramic Glass 4mm Thick.
- For Use With Hard Wood Fuel Only - DO NOT BURN ANY OTHER FUEL.
- Burn With the Door Closed.
- Open damper before opening the door.
- Do not obstruct space under heater
- To pass chimney or chimney connector through combustible wall or ceiling, see owner manual and local building code.
- Refer to Intertek's directory of building products (<https://bpdirectory.intertek.com>) for detailed information.
- To be installed as a freestanding room heater with the clearances in the manufacturer's installation instructions. Not to be installed in any factory-built fireplace

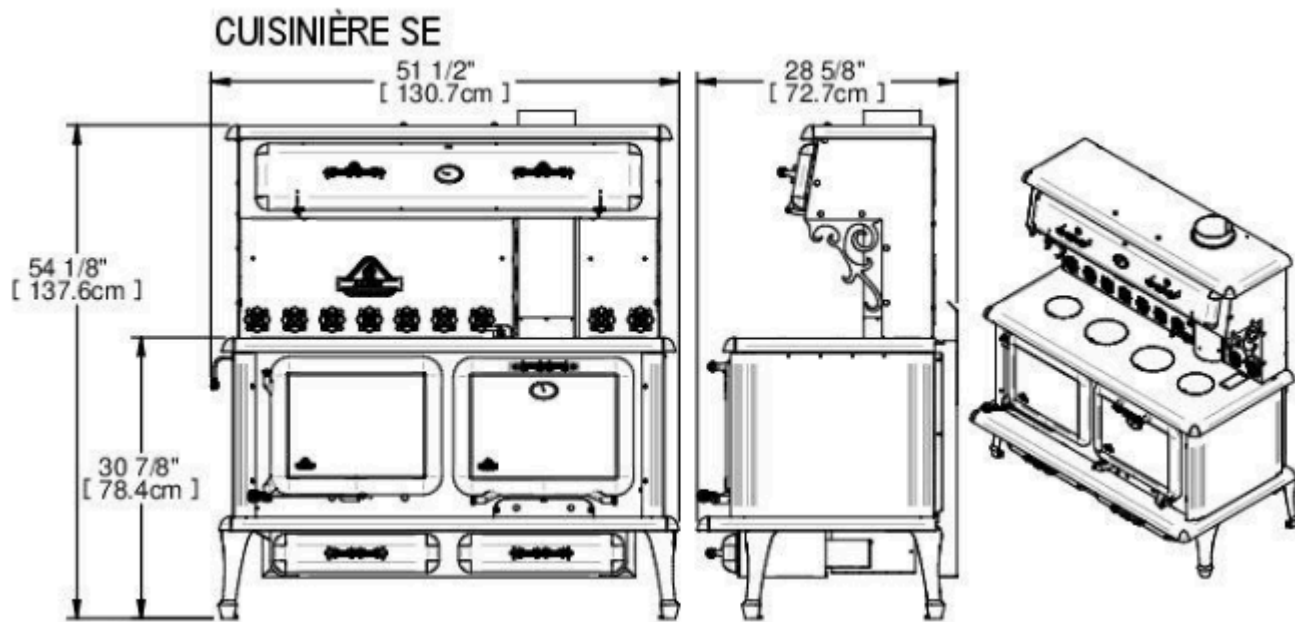
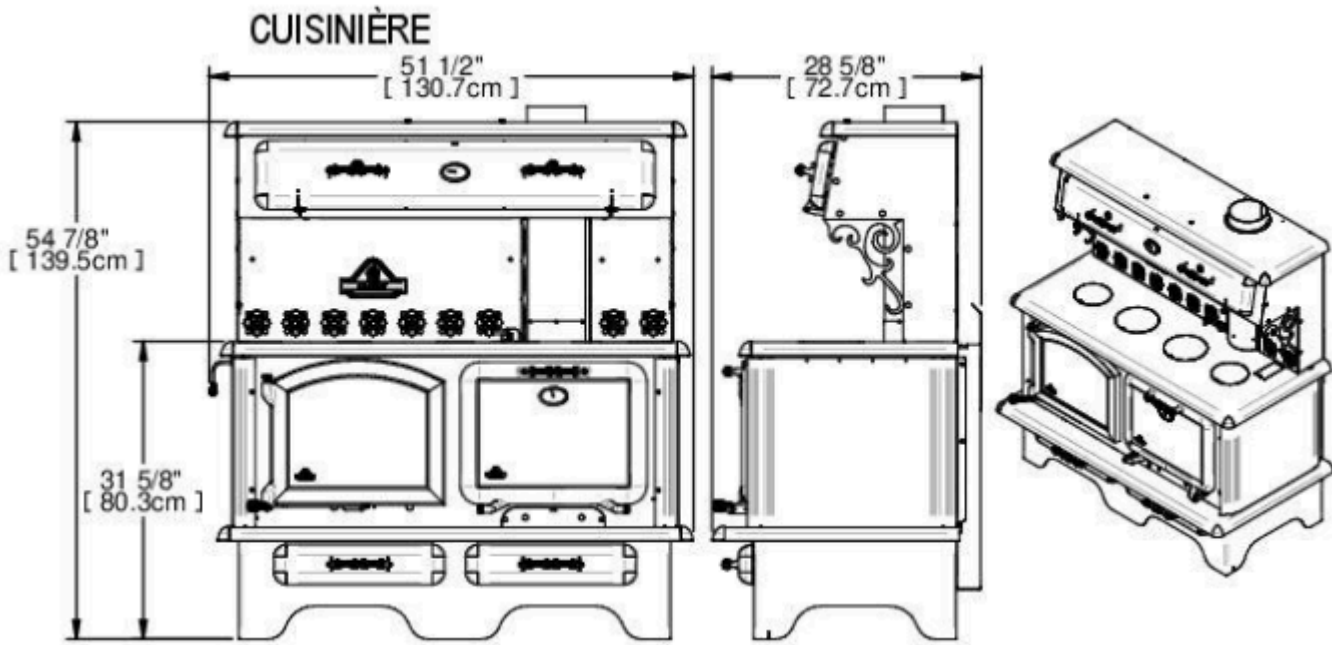
**CAUTION!**

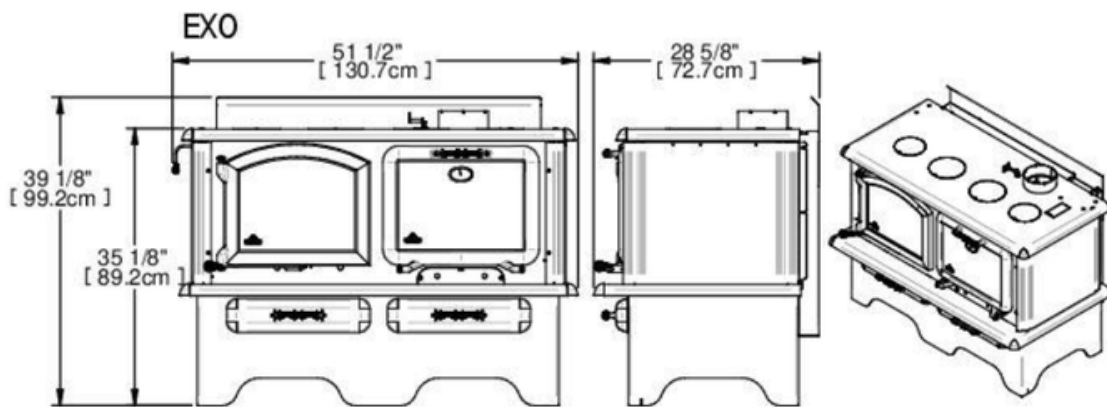
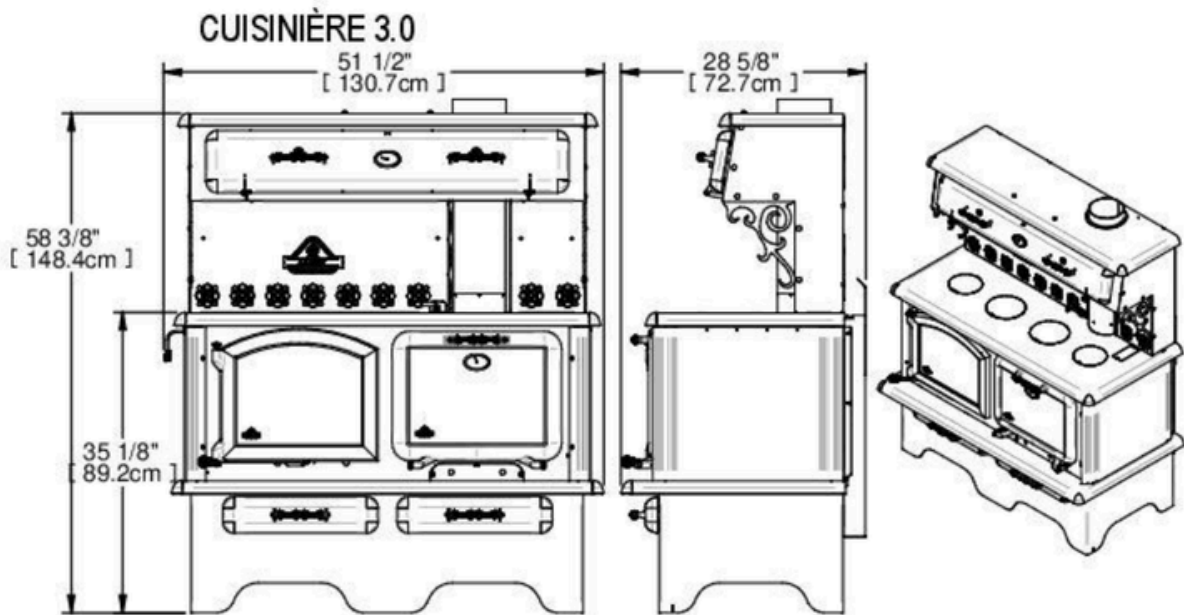
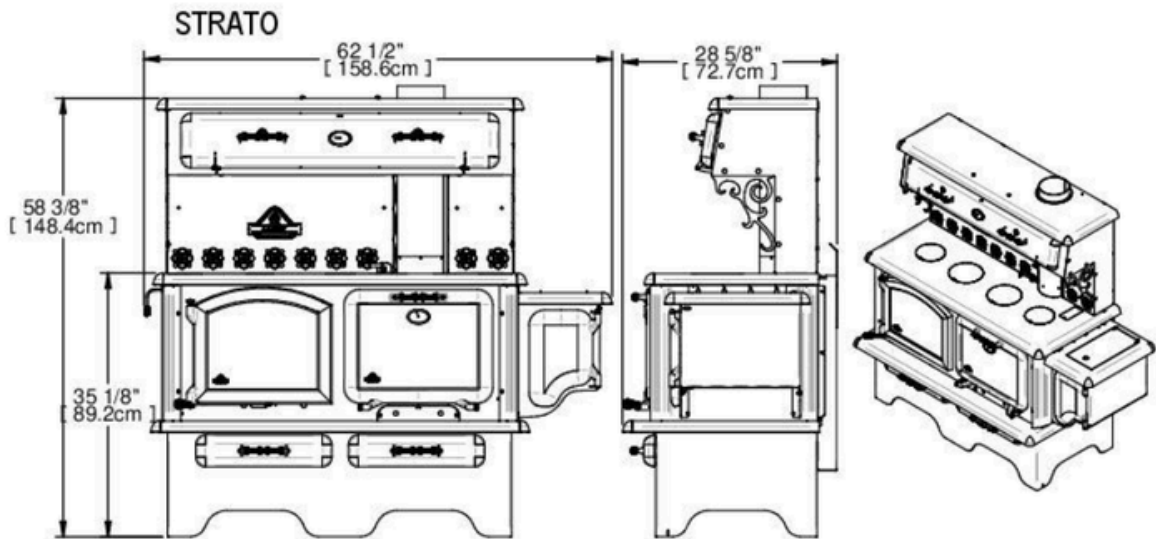
HOT WHILE IN OPERATION. DO NOT TOUCH.  
KEEP CHILDREN, CLOTHING AND FURNITURE AWAY. CONTACT MAY CAUSE SKIN BURNS.  
SEE NAME-PLATE AND INSTRUCTION.

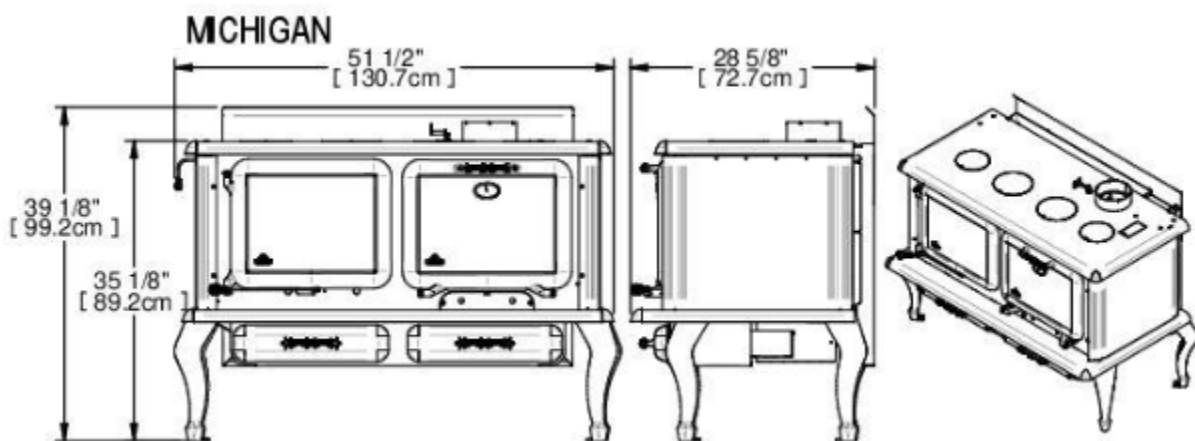
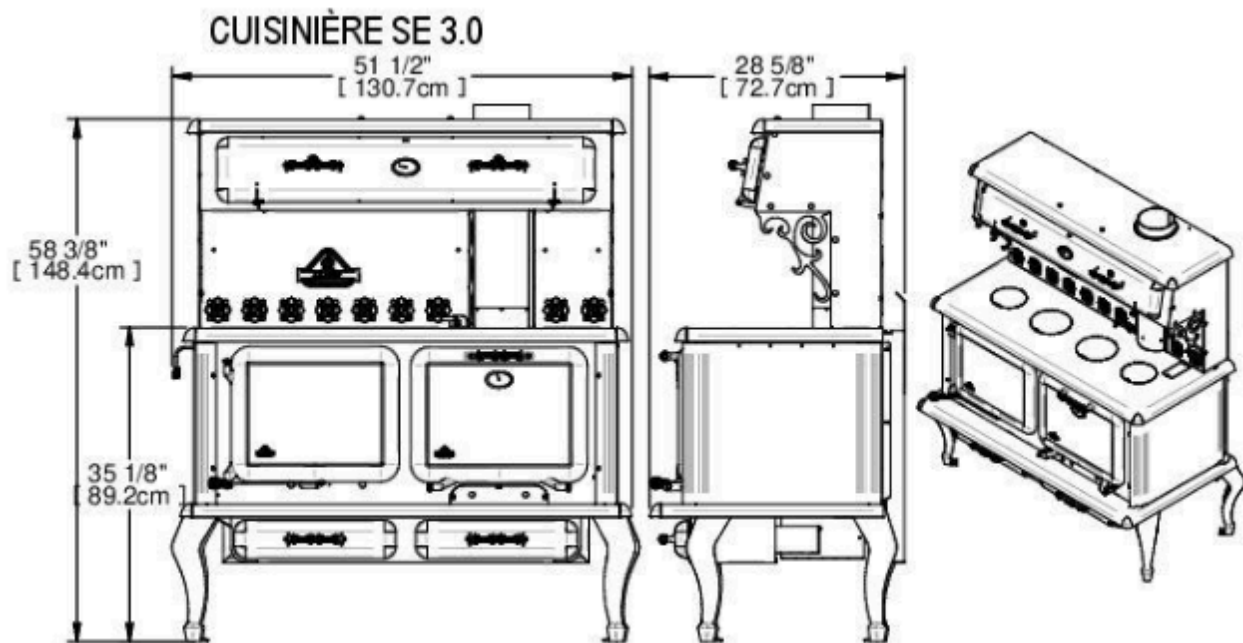
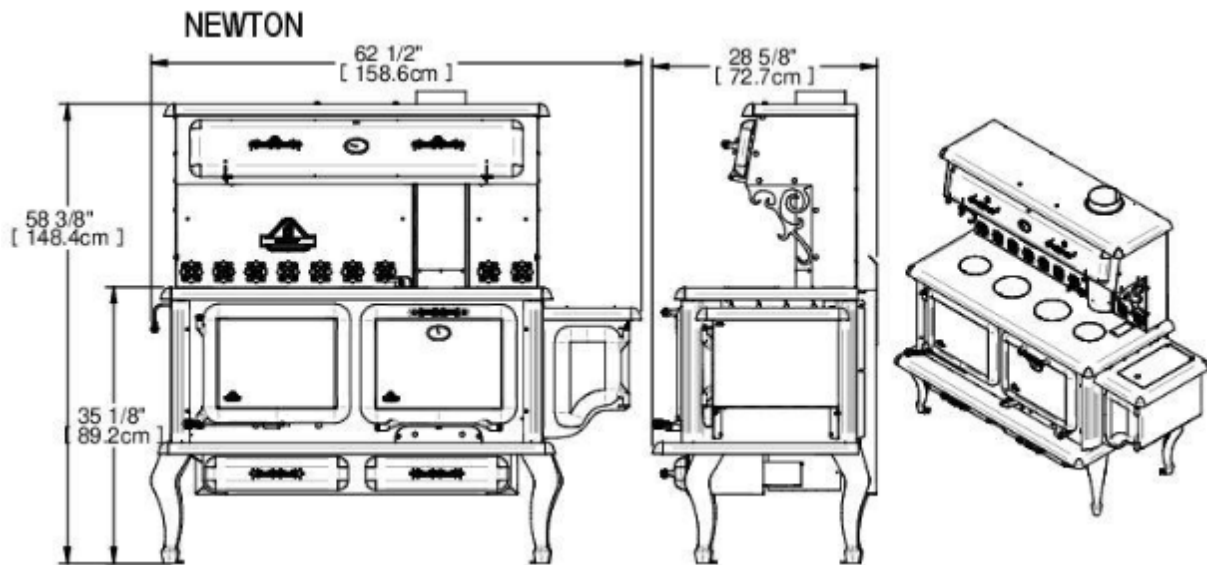
**ATTENTION!**

CHAUD LORSQU'EN FONCTION, NE PAS TOUCHER, GARDER LOIN DES ENFANTS, DES TISSUS ET DES MEUBLES. LE CONTACT PEUT CAUSER DES BRÛLURES À LA PEAU. VOIR LA PLAQUE SIGNALÉTIQUE ET LES INSTRUCTIONS.

# Appliance dimensions







## Specifications

Option	CUISINIÈRE	STRATO	CUISINIÈRE 3.0	EXO
Combustible	Wood	Wood	Wood	Wood
Recommended surface area	1000 – 2500ft <sup>2</sup>	1000 – 2500ft <sup>2</sup>	1000 – 2500ft <sup>2</sup>	1000 – 2500ft <sup>2</sup>
Capacity	95 000BTU	95 000BTU	95 000BTU	95 000BTU
Flue pipe diameter	6in	6in	6in	6in
Minimal chimney height	12ft	12ft	12ft	12ft
Exterior Height	54 7/8in	58 3/8in	58 3/8in	39 1/8in
Exterior Width	51 1/2in	62 1/2in	51 1/2in	51 1/2in
Exterior Depth	28 5/8in	28 5/8in	28 5/8in	28 5/8in
Door Opening				
Interior Height	15-3/4 " x 10-1/4 in	15-3/4 " x 10-1/4 in	15-3/4 " x 10-1/4 in	15-3/4 " x 10-1/4 in
Interior Width	10 3/4 in	10 3/4 in	10 3/4 in	10 3/4 in
Interior Depth	18 1/4 in	18 1/4 in	18 1/4 in	18 1/4 in
Length log tested	20 in	20 in	20 in	20 in
Chamber combustion depth	15 in	15 in	15 in	15 in
Volume tested combustion chamber	19 in	19 in	19 in	19 in
Weight	1.99 ft <sup>3</sup>	1.99 ft <sup>3</sup>	1.99 ft <sup>3</sup>	1.99 ft <sup>3</sup>
	580 lb	640 lb	610 lb	500 lb

Option	CUISINIÈRE SE	NEWTON	CUISINIÈRE SE 3.0	MICHIGAN
Combustible	Wood	Wood	Wood	Wood
Recommended surface area	1000 – 2500 ft <sup>2</sup>	1000 – 2500 ft <sup>2</sup>	1000 – 2500 ft <sup>2</sup>	1000 – 2500 ft <sup>2</sup>
Capacity	95 000BTU	95 000BTU	95 000BTU	95 000BTU
Flue pipe diameter	6in	6in	6in	6in
Minimal chimney height	12ft	12ft	12ft	12ft
Exterior Height	54 1/8 in	58 3/8 in	58 3/8 in	39 1/8 in
Exterior Width	51 1/2 in	62 1/2 in	51 1/2 in	51 1/2 in
Exterior Depth	28 5/8 in	28 5/8 in	28 5/8 in	28 5/8 in
Door Opening	15-3/4" x 10-1/4 in 10 3/4 in	15-3/4" x 10-1/4 in 10 3/4 in	15-3/4" x 10-1/4 in 10 3/4 in	15-3/4" x 10-1/4 in 10 3/4 in
Interior Height	18 1/4 in	18 1/4 in	18 1/4 in	18 1/4 in
Interior Width	20 in	20 in	20 in	20 in
Interior Depth	15 in	15 in	15 in	15 in
Length log tested	19 in	19 in	19 in	19 in
Chamber combustion depth				
Volume tested combustion chamber	1.99 ft <sup>3</sup>	1.99 ft <sup>3</sup>	1.99 ft <sup>3</sup>	1.99 ft <sup>3</sup>
Weight	580 lb	640 lb	610 lb	500 lb

## Clearances to combustibles materials

POSITION	DISTANCE
Back (from top of cookstove)	16 3/8 in
Left Side	12 in
Right side (with or without water tank)	7 1/2 in
Front	48 in
Minimum ceiling height.	84 in
Back to flue collar	18 in
Right wall to flue collar (without water tank)	18 in
Right wall to flue collar (with water tank)	29 7/8 in
Left wall to flue collar	44-1/2 in

## Installation

WARNING ALWAYS USE J.A. ROBY PARTS on your appliance. Using other differences parts can damage the appliance and cause injury.

## Fire Prevention Smoke and carbon monoxide emissions and monitors

To provide reasonable fire prevention, the following should be given serious consideration:

1. At least one smoke detector on each floor of your home should be installed to ensure your safety. They should be located away from the heating appliance and close to the sleeping areas. Follow the smoke detector manufacturer's placement and installation instructions, and be sure to maintain regularly.
2. A conveniently located Class A fire extinguisher to contend with small fires resulting from burning embers.
3. A CO detector should be installed in the room with the appliance.
4. A practiced evacuation plan, consisting of at least two escape routes.
5. A plan to deal with a chimney fire as follows:
  - a. In the event of a chimney fire:
  - b. Evacuate the house immediately
  - c. Notify fire department.

The average of the CO emission (carbon monoxide) is 1.06 g/min. To maintain this rate, it's recommended to operate the appliance in low or medium burn rate.

The hazards with some fuels (e.g., charcoal) and the possibilities of generating carbon monoxide and the hazards from carbon monoxides.

**When the smoke detector is activated is mean that the smoke spill out of the appliance. Verify the door is close and the draft in chimney is good.**

## Floor protection

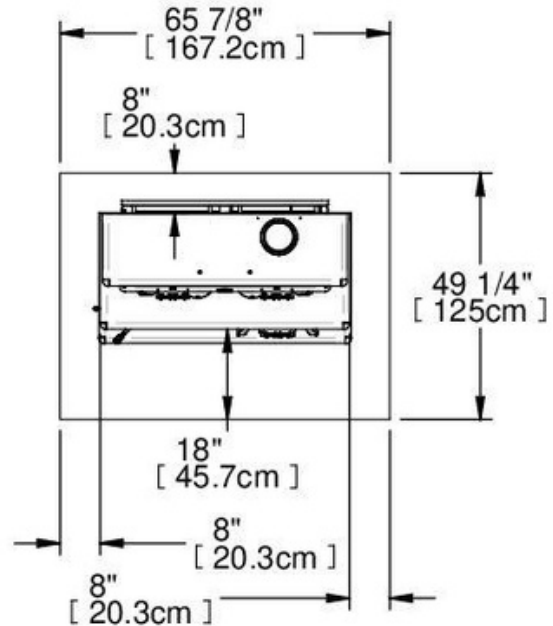
Your stove must be installed on a plate of non-combustible material to protect the floor and avoid fire caused by:

- Projections of sparks at the moment of opening the door and loading;
- The heat radiation of runaway which might cause self-ignition of floor and surface;
- Possible creosote flow when there is a chimney fire.

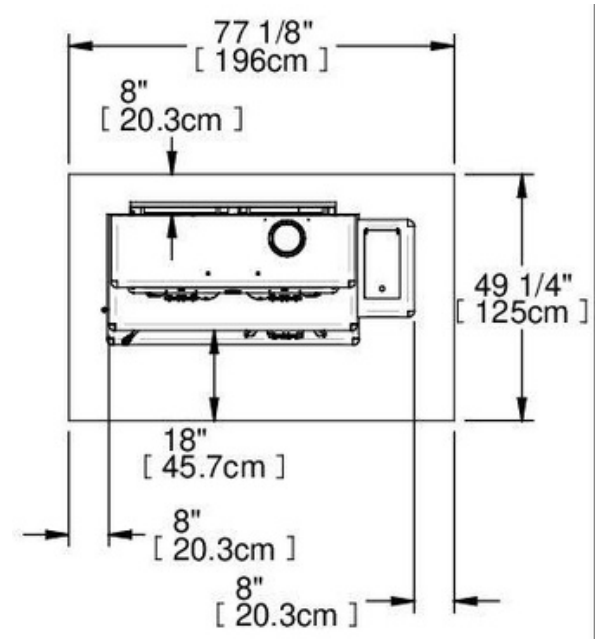
## Dimension of floor protection plate

The following dimensions are the minimum values according to the desired configuration.

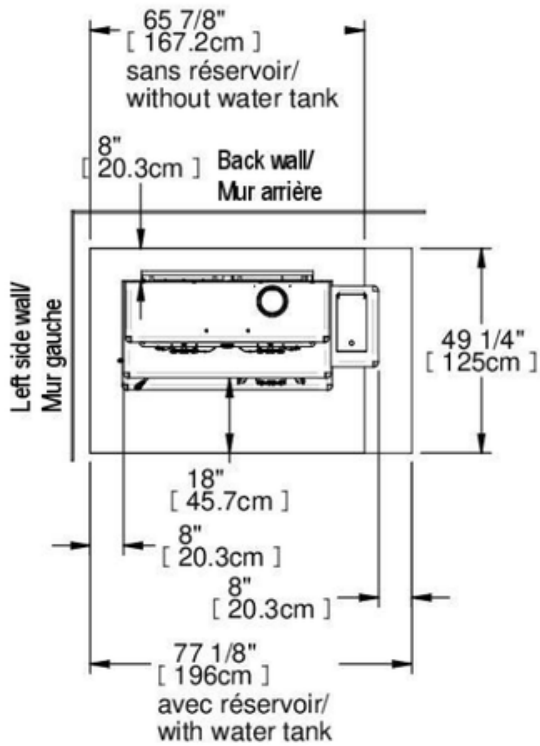
No wall around the cookstove  
Without water tank



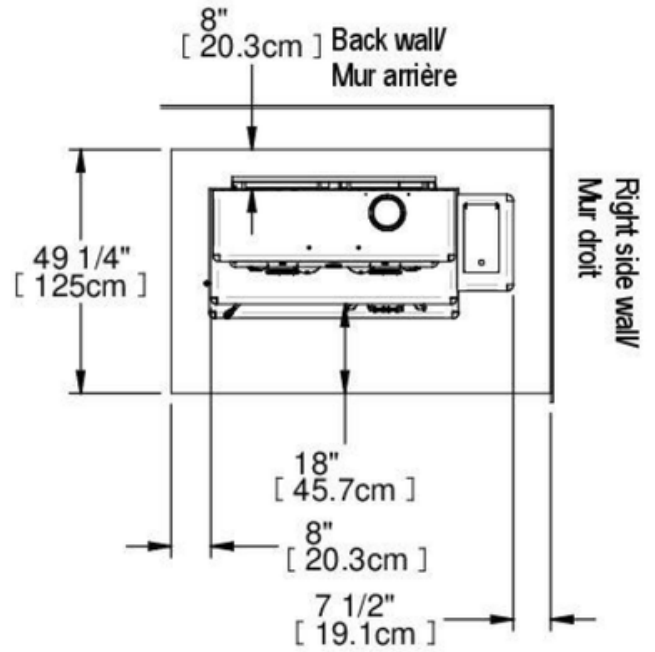
With water tank



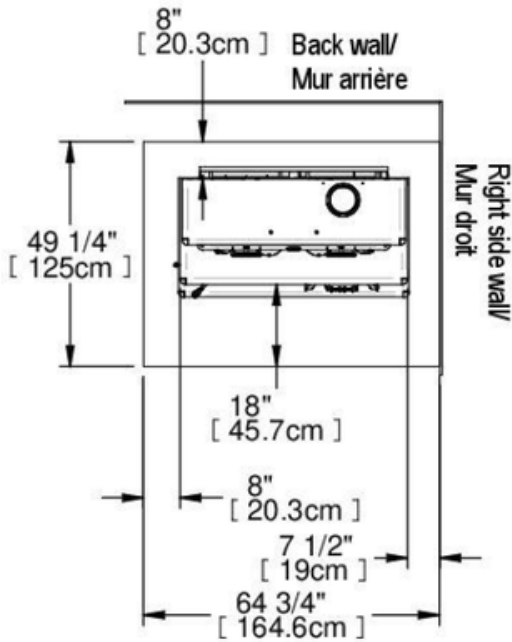
Cookstove is located near of the left and back wall.



Cookstove is located near of the right and back wall.  
With a water tank



Cookstove is located near of the right and back wall.  
Without a water tank



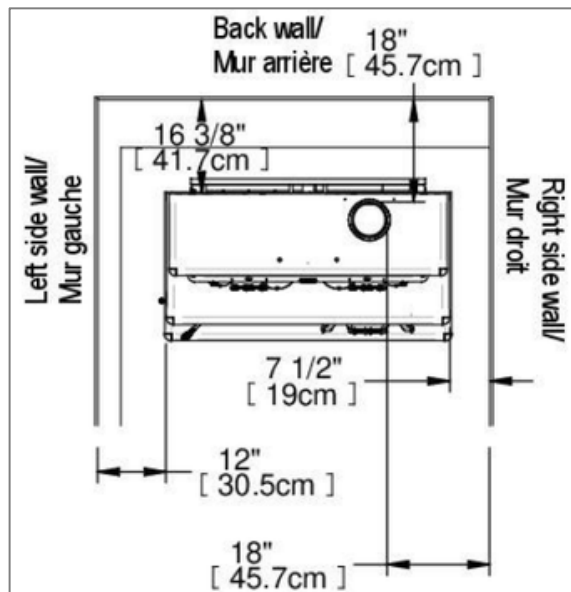
It is also necessary to protect the floor under the horizontal sections of the connection pipe to the chimney of 2 inches (5 cm) on each side of the connection pipe vertically to it. You can also extend the floor protection plate while respecting the clearances on each side of the stove.

## Minimum clearances to combustible material

This appliance needs a minimum space because of these reduced clearances. Whether in the living room or the dining room, the cookstove will match perfectly by its originality and heating.

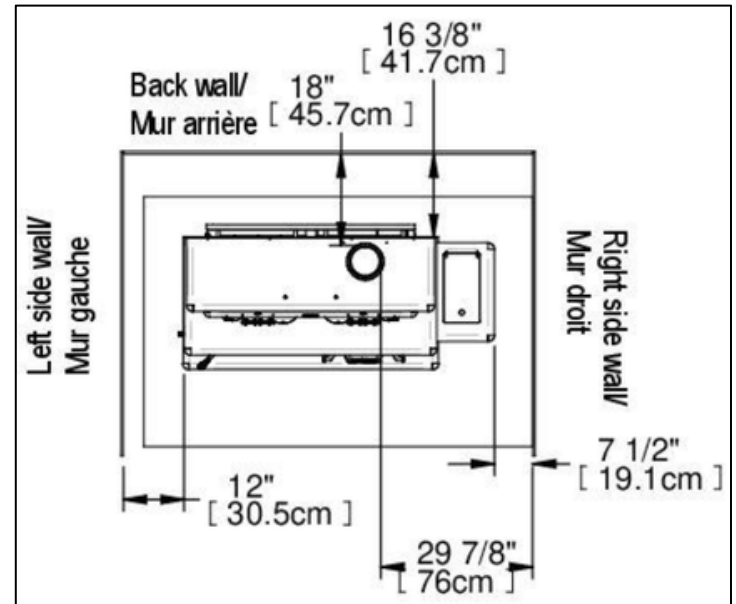
### Cookstove without water tank

It requires a **MINIMUM** clearance of 18 inches from the single wall pipe to the back wall, a 12 inches **MINIMUM** clearance from left side of the top of cookstove to the left wall and a **MINIMUM** clearance of 18 inches from the single wall pipe to the right wall.



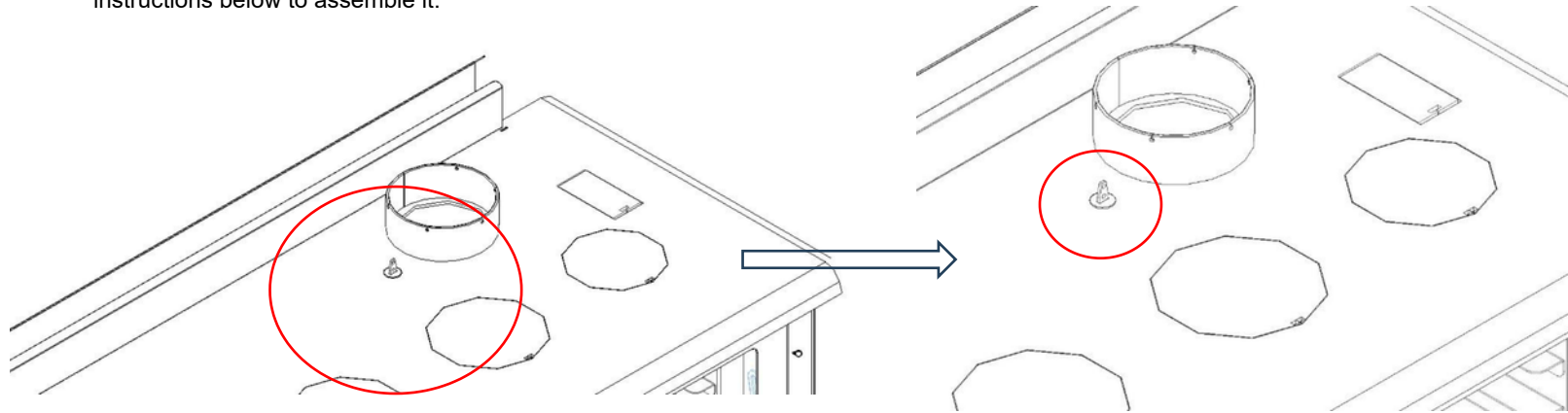
### Cookstove with water tank

It requires a **MINIMUM** clearance of 18 inches from the single wall pipe to the back wall, a 12 inches **MINIMUM** clearance from left side of the top of cookstove to the left wall and a **MINIMUM** clearance of 7 1/2 inches from the water tank to the right wall.

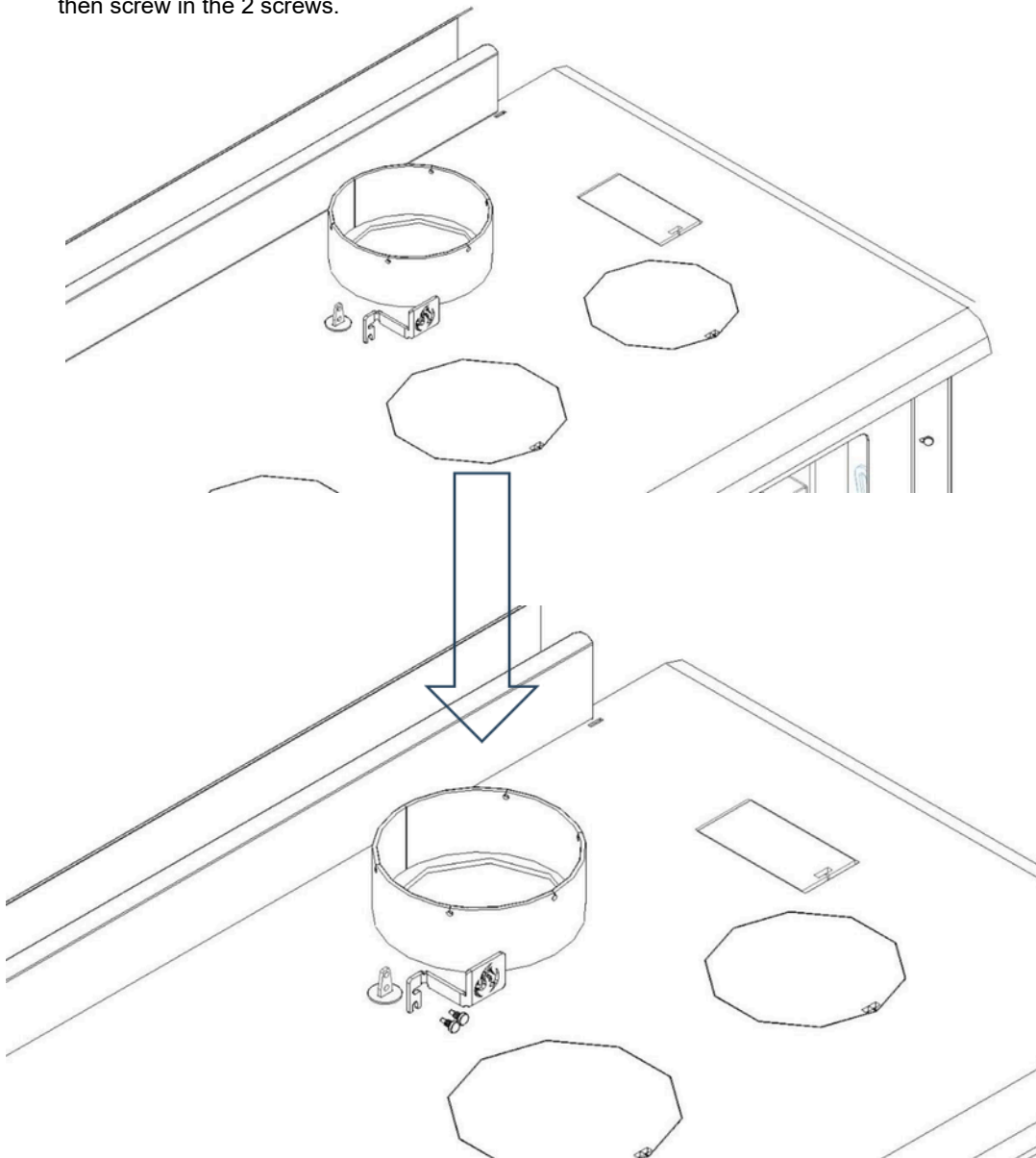


## Assembling the diverter handle

To avoid scratches on the stove top during transport, the diverter handle comes disassembled. Please follow the instructions below to assemble it.



Put the washer in place, align the 2 holes in the handle with the 2 holes in the diverter valve, then screw in the 2 screws.

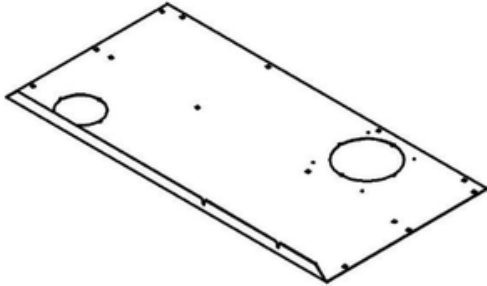


## Assembly before installation

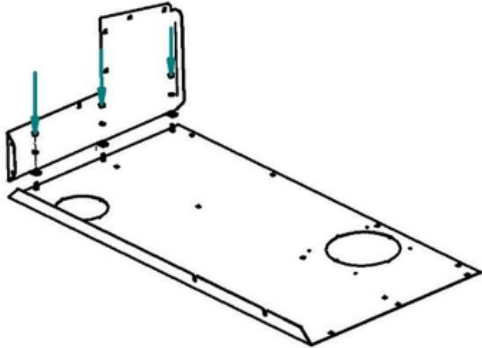
The stove leg and the warming oven top might not be assembled in the factory, in order to save space for transportation and storage. You must therefore assemble these parts before installing the cookstove.

### Warming oven top Assembly

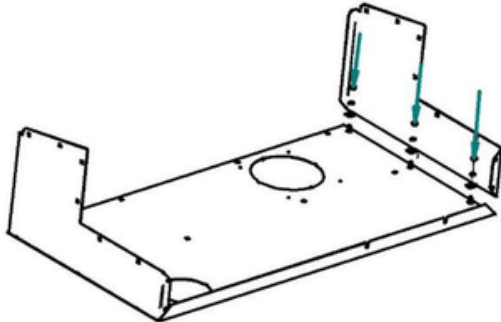
- 1) Place the backside on the product package to protect the painted part.



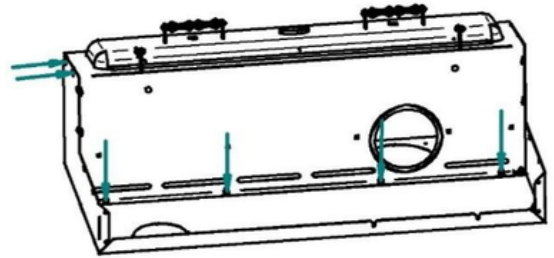
- 2) Fix the left side.



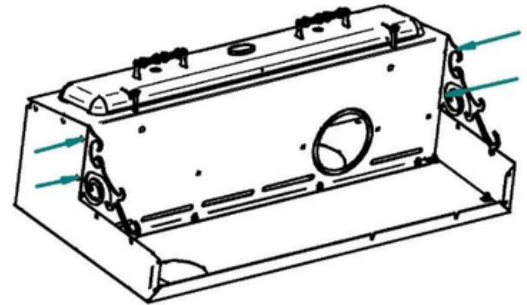
- 3) Fix the right side.



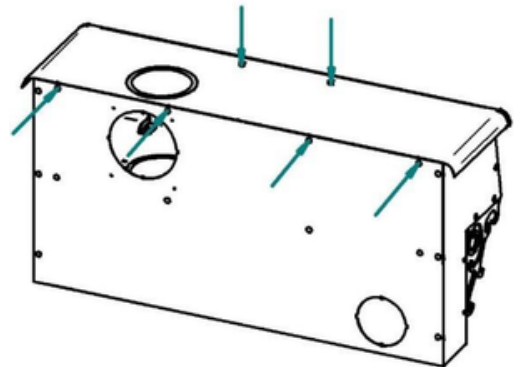
- 4) Attach the front part (with the door) to the two sides and the back. Keep the horizontal holes for the chrome decoration.



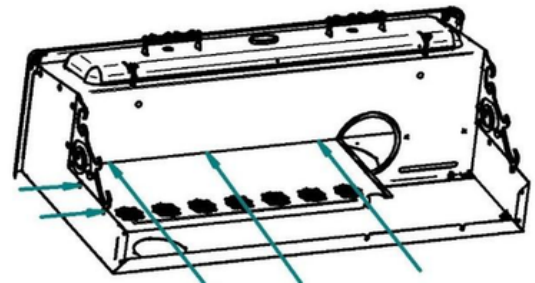
- 5) Insert the chrome decorations in the holes and fix them with carriage bolt and nut (2 bolts each).



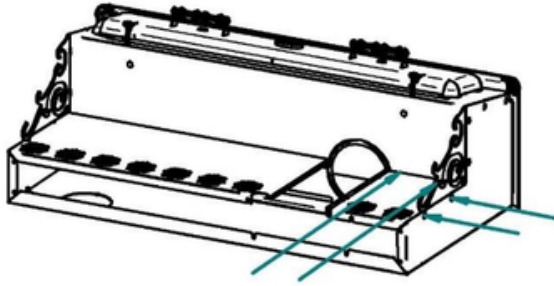
- 6) Fix the top with the back and the front. Do not fix the chrome head now.



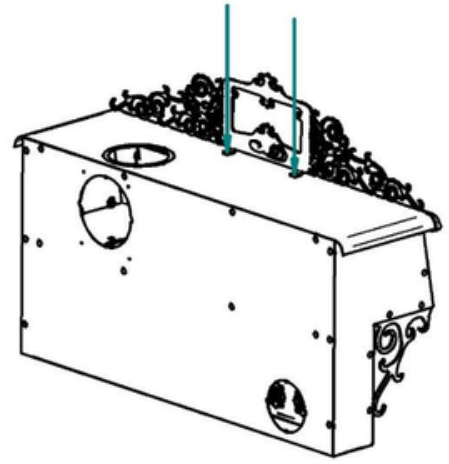
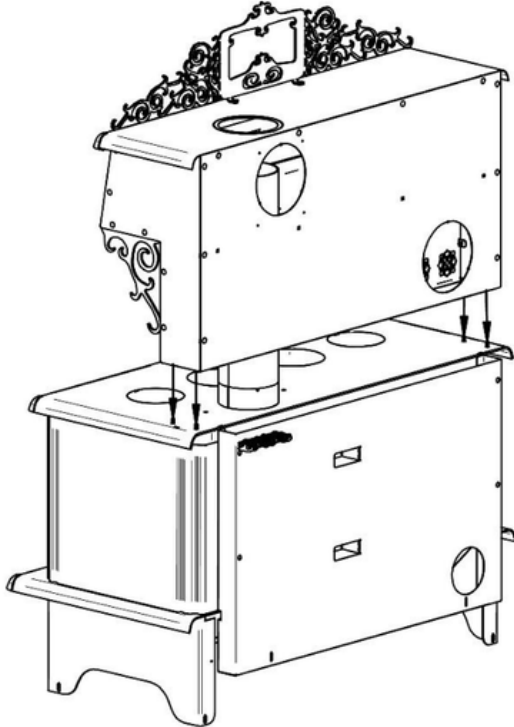
- 7) Insert the left decorative panel and attach it to the left chrome decoration.



- 8) Fix the right decorative panel and attach it to the right chrome decoration.



- 9) Remove the side panels of the cook stove.  
10) Put and fix the warmer with the 4 bolts of each side to the cook stove. 4 bolt extend out from the surface.

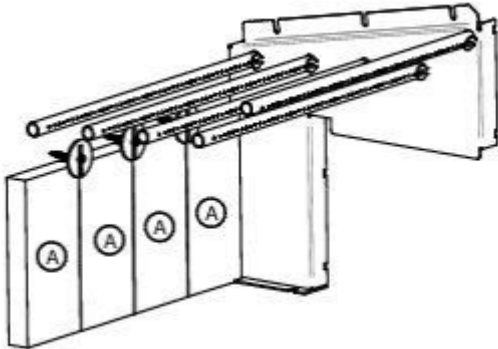


- 11) Fix the 2 carriage bolts at the front through the chimney hole or the round cook opening.  
12) Remove the screw on top and install the decorative head.

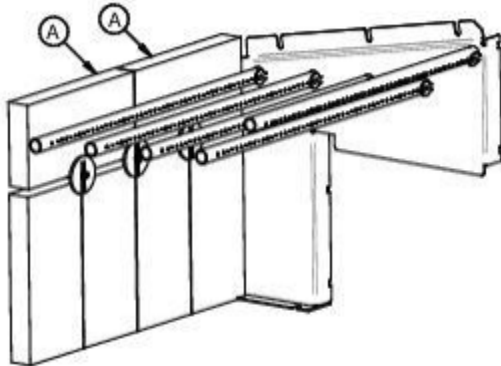
## Firebricks installation

### Backfirebricks installation

- 1) Place 4 bricks «A» at the bottom.
- 2) Put the 3 brick screws in the hole and for this purpose Do not tighten up these screws too much, so that washers will be easily installed.



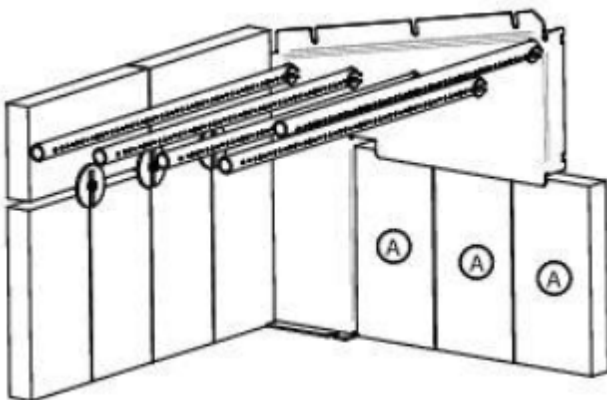
- 3) Add 2 bricks «A» horizontally on the 4 bricks.



- 4) Tighten the 3 bricks screw.

### Side firebricks installation

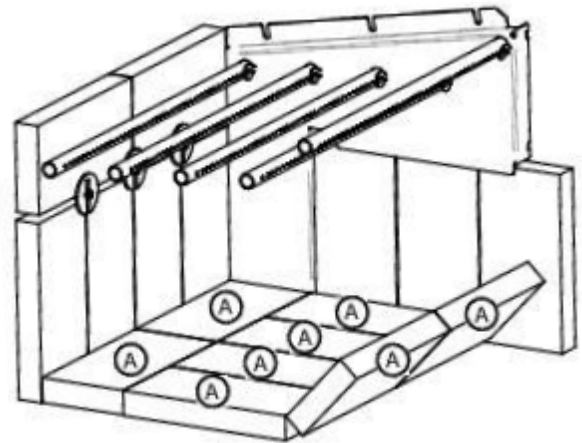
- 1) Put 3 "A" bricks between the right corridor and the door.



- 2) Repeat the steps before for the other side.

## Floor firebricks installation

- 1) Put 7 bricks «A» and 1 brick« G » in the bottom as shown in the picture.



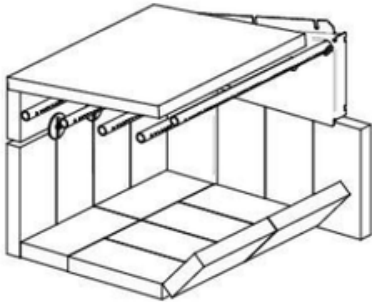
## Firebricks installation on the pipes

The firebricks must be placed on the 4 pipes from the back of combustion chamber. Bricks keep a maximum heat inside the combustion chamber so that the air coming from the pipes could burn the entire gas coming out from wood.

The rockwool over the brick can prevent considerable leakage between the bricks and keep a maximum heat inside combustion chamber. It must cover up all the bricks and each side of top of the air passage.

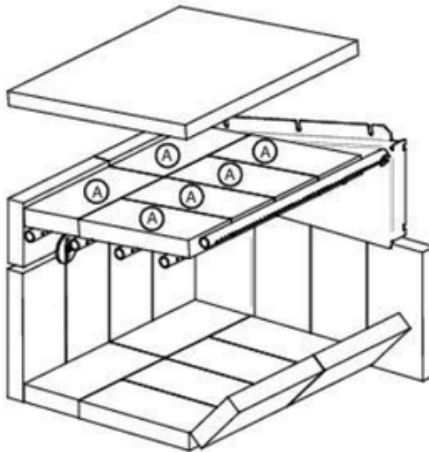
**IMPORTANT:** The rockwool must not obstruct the smoke exit. Verify from the holes of the chimney collar to make sure that it is in the right position. Then, place 2 half round steel plates as shown in the picture.

- 1) To start, insert the rockwool on the 4 tubes.

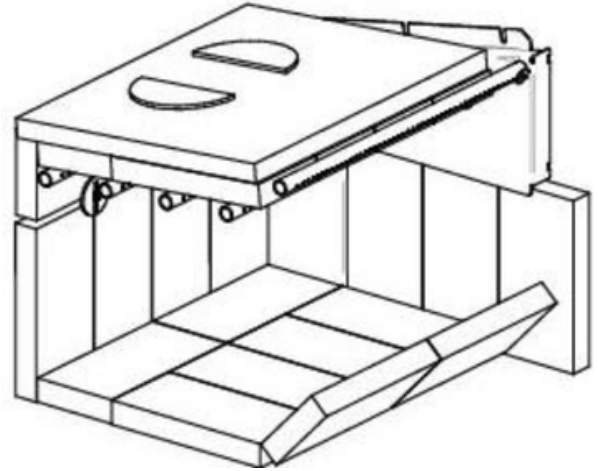


- 2) Slide two bricks "A" between the wooland the bottom pipes so that they rest on all their lengths on the two bottom pipes and that they are well supported on the two vertical bricks at the back of the hearth as shown.

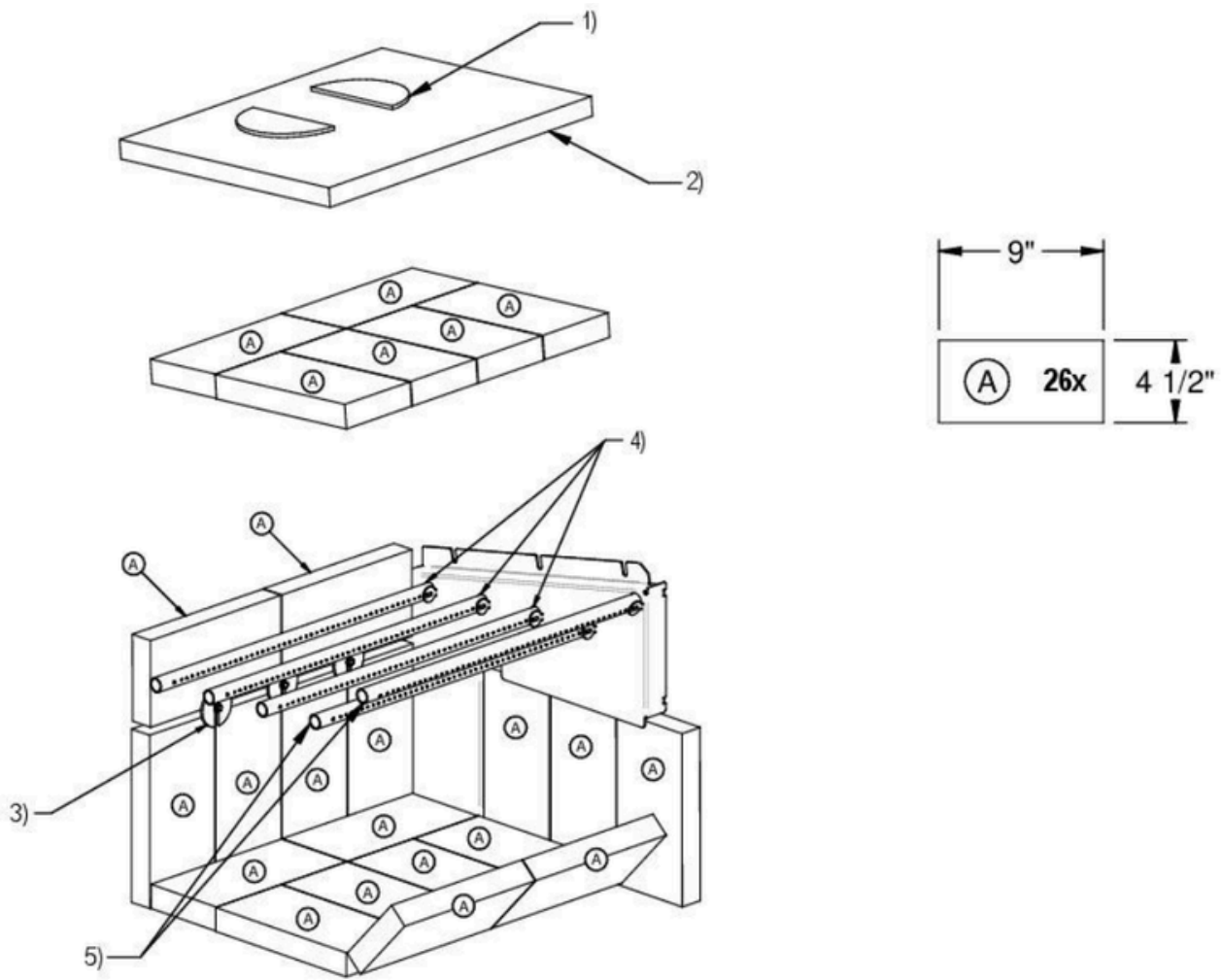
- 3) Slide the 4 "A" bricks between the wool and the front pipes. They must be installed as shown and rest on the third and fourth pipe from the bottom and be firmly against the other bricks.



- 4) Make sure that the rockwool over the bricks does not obstruct the passage of smoke.
- 5) Put two half metal discs over the rockwool near the rear deflector already in place. Be sure to put it under the rear deflector to maximise the clearance between rockwool and the rear deflector. You can look from the hole of the chimney collar to be sure the rockwool is not obstructing the space.



## Firebox configuration & part list



List of components:

- 1) 2 x steel half round discs
- 2) 1 x ceramic wool
- 3) 3 screws and brick supports
- 4) 3 x  $\text{Ø } \frac{3}{4}$  " x 19 " simple pipe
- 5) 2 x  $\text{Ø } \frac{3}{4}$  " x 19 " double pipe

## General steps of stove installation

- 1) Read the entire installation manual before installing and using your stove.
- 2) Choose a place to install your cookstove. Read the sections about dimensions of floor protection, localisation of stove over the floor protection, and clearance to combustible materials. Once you have decided where to install the stove, mark the center of chimney on the floor.
  - o To make sure the vertical center of the chimney, use a plumb line to mark on the floor.
- 3) Check if it is possible to pass chimney without damaging the structure of your house. You might have to move the location of the stove while keeping the minimum clearance. If you have to cut a joist, be sure to respect the building code in effect to keep the structural integrity of your house.

Note: This appliance has to be connected to:

- A type factory-built chimney approved ULC S629 with 6 inches diameter (15.24 cm);
    - A conforming masonry chimney of 6 inches diameter (15.24cm) with qualified internal lining
- 4) Install the chimney following the manufacturer instructions.
  - 5) Put the stove on the floor aligned vertically with the center of chimney, and trace the 4 sides of the stove vertically on the floor. Please remove the stove.

6) Mark the dimensions of protection panel on the floor. The edge clearance of the sides and the back is 8 inches (20.3 cm). At the front, it must be 18 inches (45 cm) in Canada, measured from the front door.

- 7) Install the floor protection according to the mark. (It must be non-combustible)
- 8) Put the stove on the protection floor. Respect the edge clearance that you have set at step 6 and the centre of the chimney as well. We recommend to fix the stove to the floor with bolt in the slots in the stove legs made for this purpose. If you have a pedestal, use the holes made for this purpose.
- 9) If you have an outside air inlet you must use 4 inches (10.16 cm) flexible aluminum pipe. The pipe must be sealed with thermal resistant sealant
- 10) Install the chimney connector from the stove. The pipe must be attached with at least 3 screws, to the collars of the stove and the chimney, also each joint of connection.

Note:

- The single wall chimney connector must be 6 inches diameter (15,25 cm) and have a minimum thickness of 24 gauge (0.025 inches 0.64 mm).
- Do not use galvanised steel chimney connector.

## Chimney connector installation

The chimney connector is a set of single wall flue pipes and elbow installed between the stove collar and the chimney collar. Components of single wall chimney connector are available at any hardware store and there is no precise standard or regulation. However, some rules must be followed to install solid fuel burning equipment.

Your J.A. Roby cookstove was approved for the use of a single wall chimney connector.

### ❖ Single wall chimney connector

For the single wall chimney connector, you must use the connector of 6 inches diameter with a minimum thickness of 24 gauge (0.025 inches 0.64 mm).

#### ATTENTION:

- Any horizontal section must be sloping upwards 1/4 inches (6.35 mm) by feet (30 cm) toward the chimney collar. This section should not exceed 36 inches (91.4 cm).
- The clearance between the roof and the single wall chimney connector must be 18 inches (45.7 cm) or more.

#### 1. Assembly of connecting parts

Make a brief installation of all sections and elbows (if necessary) to ensure that you respect the clearances and inclinations of the horizontal sections. You must also verify if you have all the necessary parts for final installation.

o For direct vertical installation, you will need:

- 1 x vertical section of 24 inches (61 cm) or more
- 1 x adequate length of telescopic chimney part allowing you to connect the last chimney connector section to the chimney collar.

**Note: For higher roof, more parts might be needed.**

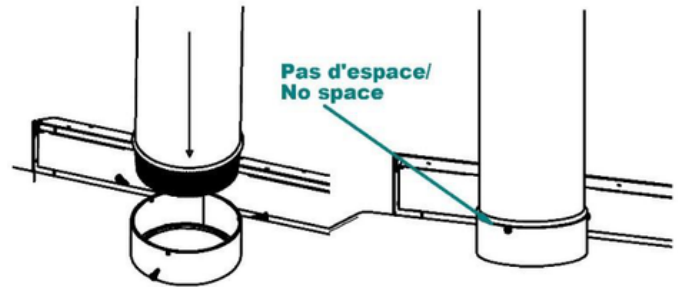
o For horizontal installation, you will need:

- 1 x vertical section of 24 inches (61 cm) or more;
- 1 x 90° elbow;
- 1 x adequate length of telescopic chimney part.

**Note: For better performance, two 45 degree elbows with or without straight section in between are preferable.**

2. Disassemble the whole thing and start screwing the pieces from the stove to the roof chimney collar.

3. Insert entirely the roll formed end into the stove collar and screwing it with a minimum of 3 screws.



**WARNING: It is mandatory to attach the pipe to the stove collar and also at each joint with at least of 3 screws.**

4. Install all the next section up to the chimney support collar and be sure to attach all parts with at least 3 screws. **ATTENTION: It is OBLIGATORY to attach the pipe on the stove flue collar and each joint with at least 3 screws.**
5. Install all other parts and attach them up to the chimney collar.
6. Attach the connection pipe with 3 screws.

**DO NOT CONNECT THIS APPLIANCE TO A CHIMNEY SERVING ANOTHER APPLIANCE.**

**CONNECTOR PIPES SHOULD NEVER GO ACROSS A CEILING, A WALL, A CLOSET, AN ATTIC OR OTHER ENCLOSED AREA THAT COULD CAUSE HEAT BUILDUP. IF YOU NEED TO PASS THROUGH COMBUSTIBLE MATERIAL, MAKE SURE THAT YOUR INSTALLATION COMPLIES WITH CAN / CSA-B365.**

### Installation in a mobile home

**DONOT INSTALLTHISAPPLIANCE IN A MOBILE HOME.**

## General steps of chimney installation

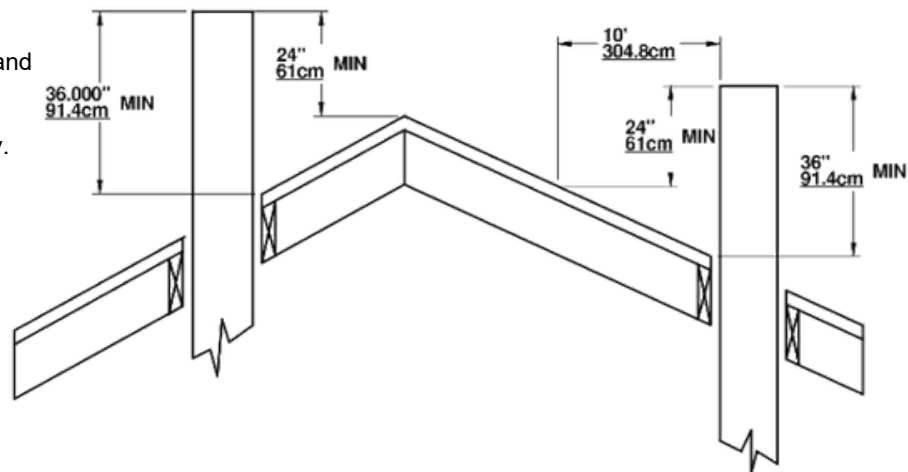
Use only approved chimneys of the same size as the output of the appliance, which means 6 inches in the case of cookstove. The chimneys used must be tested according to CAN/ULC S629 M87. The stove can be installed with a masonry chimney according to ULC S635, ULC S640. The cookstove can be installed with a masonry chimney according to ULC-S635 and ULC-S640. The masonry chimney must be equipped with a stainless steel sleeve and meet the standards for the masonry chimney with inner sleeve.

Provide a place for sweeping.

It is preferable, if possible, to avoid a chimney built outside of a house and on an exterior wall, especially in cold regions. Outside chimneys generally have a less efficient draft. They can even have down draft since it is hard to heat them enough so that they can reach their operating temperature. Cold chimneys have tendencies of greater accumulation of creosote, less efficient draft and worse efficiency. Draft is proportional to the total chimney height as well as its temperature. It is therefore possible to get better draft by increasing the chimney's height and by reducing the heat loss with insulated lining. Make sure that all pipe joints are really airtight. A leak reduces the efficiency of the appliance and could even make its usage dangerous. . Using a high temperature silicon or cement to ensure that the smoke pipe joint are airtight. If the chimney pass through the exterior wall or insulated roof be sure the hole after installation needs to be airtightness. Use sealant to make the building airtight.

**Note: This is a general chimney installation method. Be sure to refer to the manufacturer's manual for more details of installation of your chimney.**

- 1) Determine the total length necessary for your chimney.
- 2) Make holes into all floors and roof.
- 3) If you need to cut a joist, be sure to strengthen the adjacent joists and frame the hole respecting the minimum dimensions between combustible materials and the fireguard. Follow the manufacturer's instructions supplied with the fireguard. **Never cut a loadbearing joist/beam.**
- 4) Frame the holes in each level and attic respecting the minimum distance recommended by the manufacturer of your chimney. Install fireguard in each level.



- 5) Frame the hole into the roof.
- 6) Install a chimney support and a fireguard in the ceiling where cook stove is installed.
- 7) Stack the prefabricated chimney sections on the support and exceed the roof.
  - The chimney must exceed at least 3 feet (91.4 cm) from the highest point of the hole in the roof.
  - The chimney must also be at least 2 feet over the highest point on the roof inside 10 feet (304 cm) radius around the chimney.
  - The minimum length of chimney is 12 feet (365.8 cm). **ATTENTION: Be sure the chimney parts are attached properly and lock onto the chimney support.**
- 8) Put the roof flashing over the chimney and seal it with roof caulking.
- 9) Nail the roof flashing.
- 10) Slide the storm collar over the chimney and fix it. Seal it with high temperature caulking.
- 11) Lock the chimney cap and install the spark arrestor if necessary.

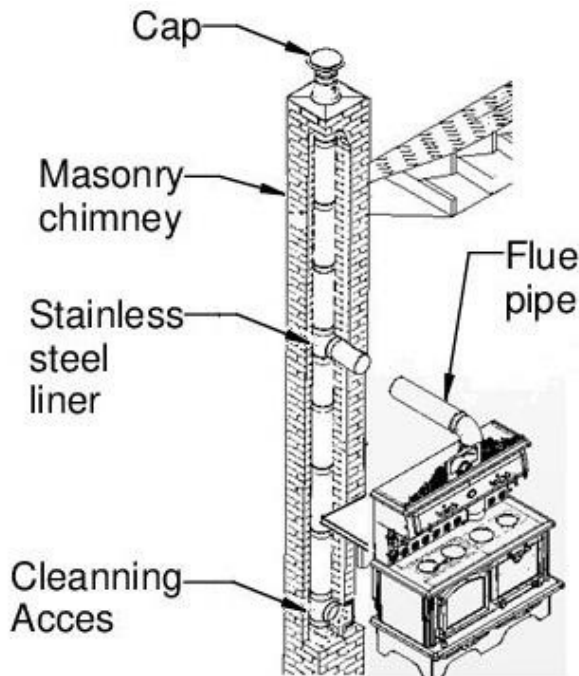
## Vertical Installation Inside Masonry Chimney

The cookstove must be installed in accordance with the applicable local laws or the CAN/CSA-B365. Follow the chimney manufacturer's instructions to install the chimney.

The chimney masonry must have inside a certified metallic sleeve cover up all the chimney height. The sleeve must be at the same diameter of the flue collar; 6 inches (15.2 cm). The junction between sleeve and the chimney connector must be tight and sealed to avoid fume to go indoor.

To pass into a combustible wall between stove and the masonry chimney. The installation method have to be safe to prevent fire. Find the lasts information to your local authority to be sure of the manner you have to.

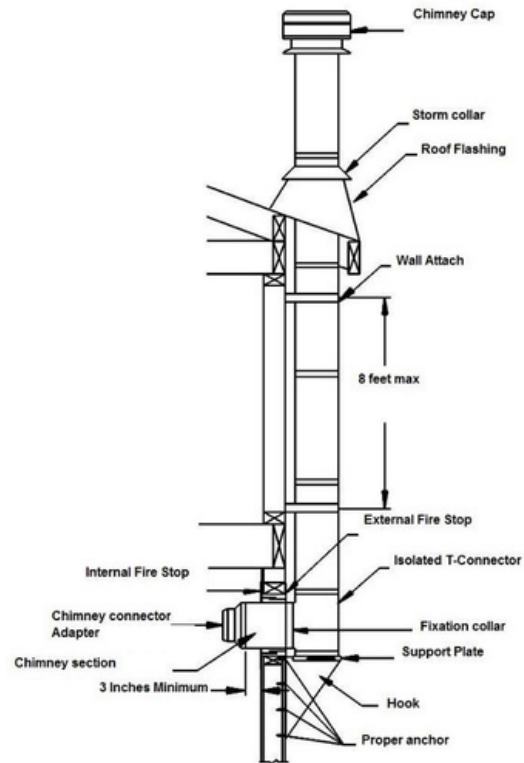
To install the stove onto an abandoned masonry fireplace and use the good condition masonry chimney the chimney must have inside a certified metallic sleeve cover up all the chimney height. The sleeve must be at the same diameter than the flue collar 6 inches (15.2 cm). The junction between sleeve and the chimney connector must be tight and sealed to avoid fume to go indoor. Don't forget to add a sweep opening.



## Outside Vertical Installation

The wood cookstove must be installed in accordance with the applicable local laws or the CAN/CSA-B365. Follow the chimney manufacturer's instructions to install the chimney.

To pass into a combustible wall between stove and the chimney. The installation method has to be safe to prevent fire. Find the lasts information to your local authority to be sure of the manner you have to. An internal fire stop and an external fire stop must be used.



## Vertical Installation on Cathedral Roof

The wood cookstove must be installed in accordance with the applicable local laws or the CAN/CSA-B365. Follow the chimney manufacturer's instructions to install the chimney.

Always pass chimney between joists. If a joist needs to be cut, referring to the National Building code to know how to do it safely to avoid structural integrity fail. Call a carpenter or a certified Installer.

Always frame around chimney. Keep minimal clearances written into your chimney manual.

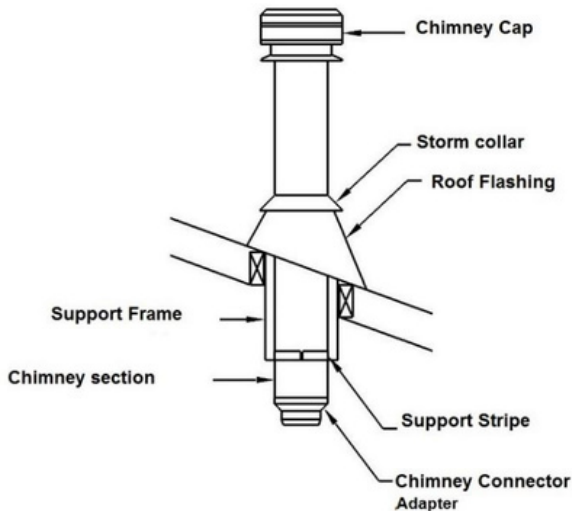
Do not fill the gap between the fire stop and the chimney. Nothing must be in contact with the chimney.

Always install a fire stop at each level, in a Floor, in a ceiling, attic and in a Roof.

Always pass with a straight section into a level joist.

The chimney should be support by the cathedral roof. Build a box around it to install ceiling support at its base.

Weight of the chimney never be allow to be support by the stove.



## Offset Vertical Installation

The wood appliance must be installed in accordance with the applicable local laws or the CAN/CSA-B365, NFPA211 (USA) norms. Follow the chimney manufacturer's instructions to install the chimney.

Always pass chimney between joists. If a joist need to be cut, referring to the National Building code to know how to do it safely to avoid structural integrity fail. Call a carpenter or a certified Installer.

Always frame around chimney. Keep minimal clearances written into your chimney manual.

Do not fill the gap between the fire stop and the chimney. Nothing must be in contact with the chimney.

Always install a fire stop at each level, in a Floor, in a ceiling, attic and in a Roof.

A special fire stop need to be install into the attic. It keep isolation and avoid the attic isolation to be in contact with the chimney.

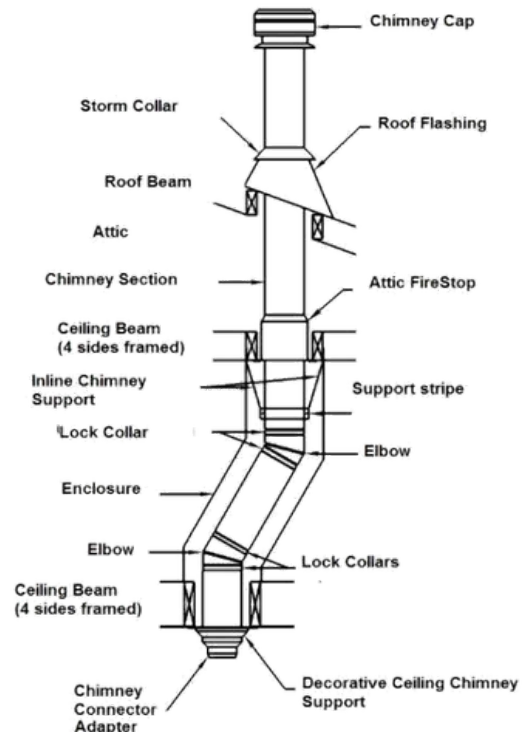
Always pass with a straight section into a level joist.

Chimney weight have to be support by the lower level with a Ceiling support.

Chimney weight have to never be onto the elbows. Install a support band to support the upper straight section over the elbow.

Weight of the chimney never be allow to be support by the stove.

Some restriction have to be respect regarding the maximum angle and length of the offset. See chimney manual for this restriction. Or local building code.



## Vertical Installation

The wood appliance must be installed in accordance with the applicable local laws or the CAN/CSA-B365. Follow the chimney manufacturer's instructions to install the chimney.

Always pass chimney between joists. If a joist needs to be cut, referring to the National Building code to know how to do it safely to avoid structural integrity fail. Call a carpenter or a certified installer.

Always frame around chimney. Keep minimal clearances written into your chimney manual.

Do not fill the gap between the fire stop and the chimney. Nothing must be in contact with the chimney.

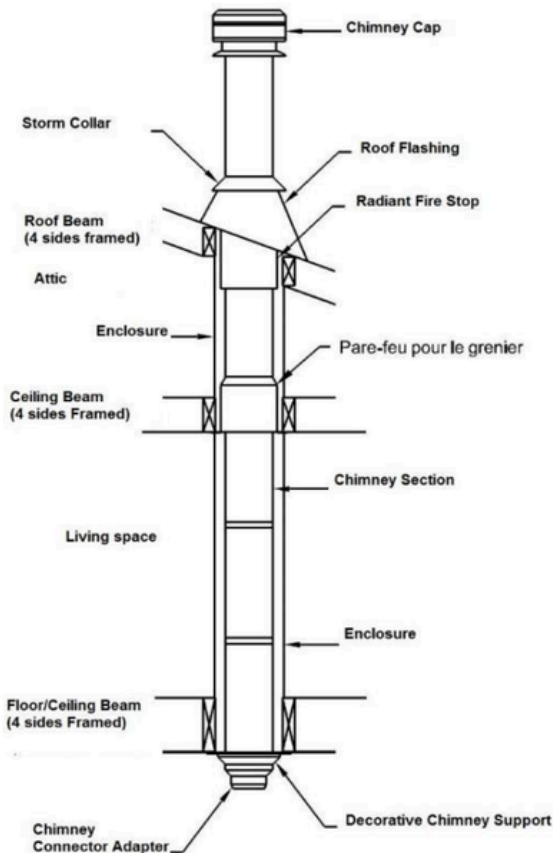
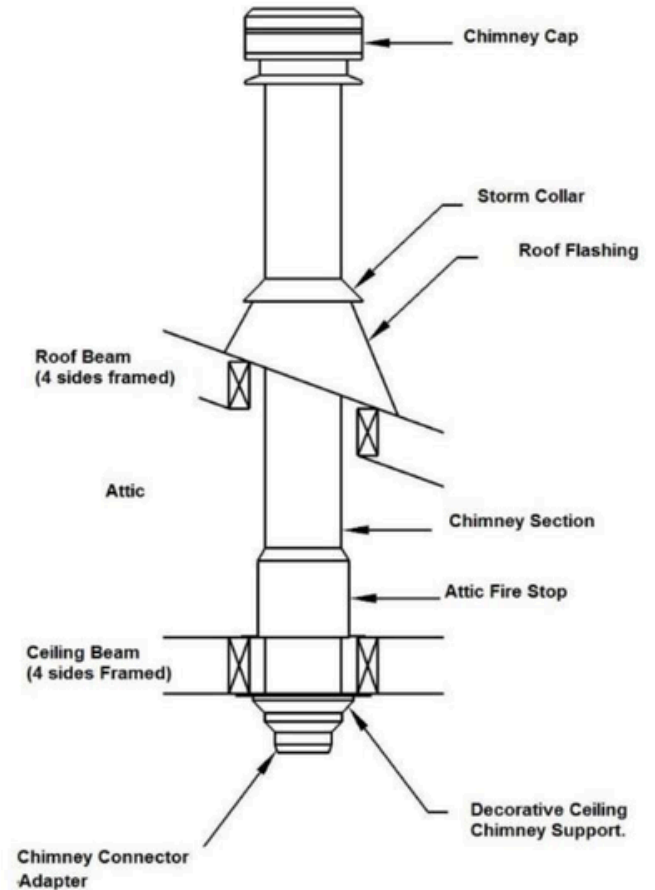
Always install a fire stop at each level, in a Floor, in a ceiling, attic and in a Roof.

A special fire stop need to be install into the attic. It keep isolation and avoid the attic isolation to be in contact with the chimney.

Always pass with a straight section into a level joist.

Chimney weight have to be support by the lower level with a Ceiling support.

Weight of the chimney never be allow to be support by the stove.



## Combustion air intake

In conventional designed homes, natural ventilation is enough to operate the wood stove efficiently.

Some houses are more airtight than others. If you do not have outdoor air intake system, it is necessary to open a window slightly in the room where you have your cook stove.

**CUISINIÈRE IS NOT APPROVED FOR MOBILE HOME.**

---

A mobile home on a foundation is considered as a conventional house.

### Exterior Air Intake pipe

The cookstove is not approved for mobile home. It is built, however, to receive an exterior air intake pipe. An air intake kit must be factory installed. We recommend to use a 4 inch (10.16 cm) aluminum flexible pipe, equipped with a weatherproof hood with screen.

For the usage of pipes made of other materials, they must be complied with ULC-S110, equipped with thermal resistant isolation and must be corrosion resistant.

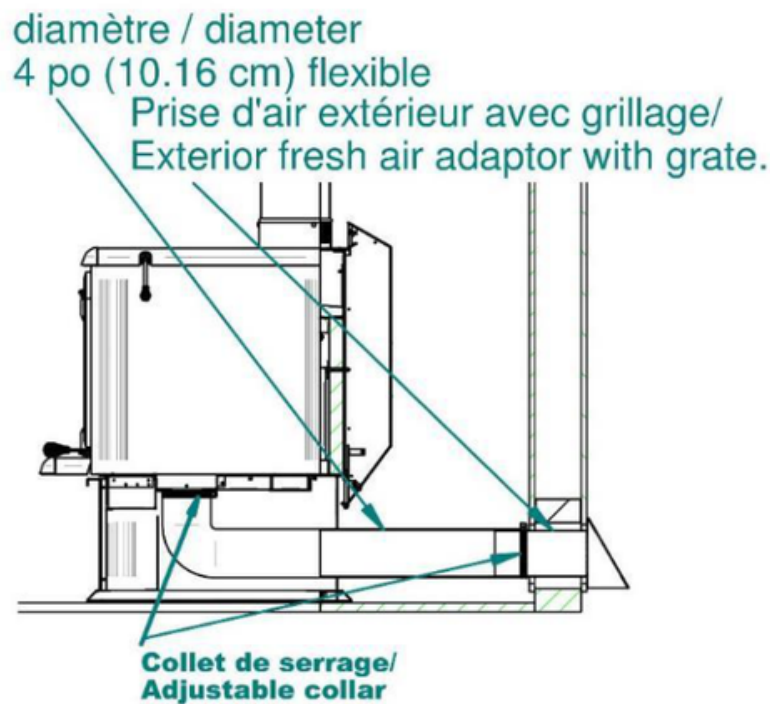
### Installation of Air Intake Pipe

To install the exterior air intake pipe, fold the 3 legs of air inlet at the back of the stove. On the other side of the heat shield opening, insert the pipe into the hole and screw the pipe using the 3 holes in the tabs. Put a generous layer of high temperature latex caulking onto the joint to ensure the pipe is sealed.

### Air Inlet Obstruction

If the fire in the stove goes out after closing the door, it's possible that the air inlet is obstructed by something. In summer, insects or animals can build a nest into the air inlet. In winter, snow can accumulate over the air inlet and obstruct it.

The valve of the air intake might be closed as well.

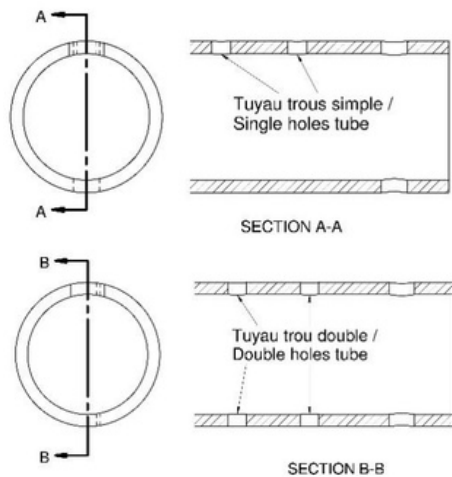


## Replacement stainless steel tubes

Although the tubes are made of stainless steel, with extreme temperature and conditions the tubes are eventually corroded and perforated as normal deterioration. They must be replaced by new ones to ensure performance of your stove.

### *Stainless steel tubes Installation*

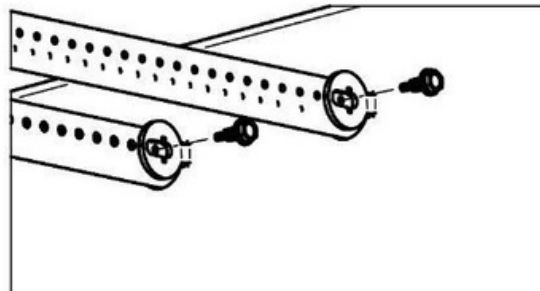
There are two types of tubes used in the stove. 3 tubes are perforated on a single side are placed at the back of heat chamber, the 2 others with 2 holes on double sides are at the front.



To make sure of right orientation of tube, you find a hole at each end of tubes. The holes on the air intake passage are made into corresponding shapes.

### *How to install a tube:*

- 1) Insert the tube into the round hole on the air intake passage.
- 2) insert the tube into the hole on the other side.
- 3) Center the tube by aligning the corresponding holes and insert a screw at each end to firmly hold the tube.



- 4) Install the next tube

To remove tubes, do steps in reverse order.

# Operating Instructions

## Control of primary and secondary air admission

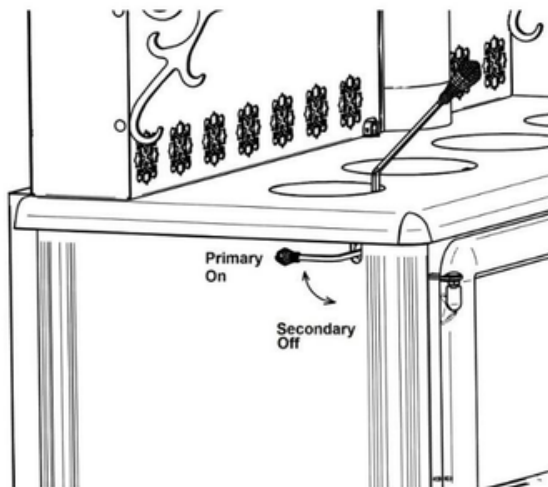
When the handle on the left side of the stove is vertical, the air admission is only from the tube. This is what we called "Secondary air admission". When the handle is horizontal, the air admission is direct and from the top of the door opening, which we call "Primary air Admission"

NEVER USE GRATE OR ANYTHINGS ELSE TO ELEVATE THE FIRE, make fire directly on firebricks

**Warning: Running your stove with the Primary air admission at the maximum for a long period of time, can damage the stove.**

**OPERATE ONLY WHEN DOOR IS CLOSED: Keeping the door open might over fire and cause permanent damage to the stove or a chimney fire.**

**IT IS PROHIBITED TO MODIFY THE AIR ADMISSION TO OBTAIN HIGHER HEAT OR FOR ANY OTHER REASON.**



## Lightning fire

After installing correctly the stove following the installation instruction of the manufacturer, you are ready to light it.

- 1) Turn the admission handle to the horizontal position to set the primary air admission.
- 2) Be sure that all the covers of cooking holes are placed properly.
- 3) Set the deviation selector at the position "close".
- 4) Put paper and lightning wood into the combustion chamber and light them as you do normally.
- 5) Close the door partially leaving a slight opening. When chimney have enough heat buildup, close the door completely keeping the admission handle at the horizontal position. Wait for a good fire buildup.
- 6) Once you have an ember fire, it's time to add logs. Follow now the instruction section on how to keep a fire

**DO NOT LOAD THE STOVE OVER THE UPPER BRICK ROW**

You can control the combustion by turning up or down the handle. The wood will burn more rapidly when more primary air is set. Otherwise the wood burn more slowly and more efficiently with the handle set to secondary air. You can balance the primary and secondary air to have more heat for cooking.

**NEVER LEAVE THE STOVE UNATTENDED WHEN THE DOOR IS SLIGHTLY OPEN. ALWAYS CLOSE THE DOOR AFTER LIGHTNING.**

**CAUTION: NEVER USE GAZOLINE, GAZOLINE TYPE LANTERN FUEL, KEROSEN, CHARCOAL LIGHTER FLUID, OR SIMILAR LIQUIDS TO START OR "FRESHEN UP" THE FIRE IN THIS STOVE. KEEP ALL SUCH LIQUIDS AWAY FROM THE HEATER WHILE IT IS IN USE. DO NOT BUILD THE FIRE NEAR THE FRONT GLASS.**

## First fire

For the first hours of operation, you must heat your appliance gradually. In order to allow an appropriate baking of the paint and to facilitate its adhesion with metal, do not heat the appliance with a strong fire. It will also avoid thermal shock which could lift up the paint or make the color fade. Make sure that the room is ventilated enough in order to eliminate the odor and the smoke coming from the paint. It is normal that a light smoke is released from the paint for the first time.

Even if this nuisance is temporary, open the windows and the doors in order to ensure a good ventilation. This special paint is conceived to tolerate temperatures until 1200°F (650°C).

## Keeping a fire

To add firewood into the stove and keep a fire:

- 1) Turn the handle to horizontal position and wait a few second to let the fire adjust to the new condition.
- 2) Turn the handle to the first position and wait a few second to balance pressure to avoid smoke coming out from stove.
- 3) Put the handle at the full-open position and open the door half-open. Wait for the fire to get stable.
- 4) Open the door widely.
- 5) Move embers with poker near the door to supply oxygen and burn them completely.
- 6) Add firewood over the ember keeping it away from the glass door to avoid flame touching the ceramic glass.

**ATTENTION:**

**DO NOT LOAD THE STOVE OVER THE LEVEL OF FIREBRICKS.**

**DO NOT BUILD THE FIRE NEAR THE DOOR GLASS.**

- 7) Close the door slightly and leave the wood burning.
- 8) Once the fire gets stable, close the door completely.
- 9) Adjust the air admission handle if necessary.

**NEVER LEAVE THE STOVE UNATTENDED WHEN THE DOOR IS SLIGHTLY OPEN. ALWAYS CLOSE THE DOOR AFTER ADDING A LOAD.**

**CAUTION: NEVER USE GAZOLINE, GAZOLINE TYPE LANTERN FUEL, KEROSEN, CHARCOAL LIGHTER FLUID OR SIMILAR LIQUID TO START AND "FRESHEN UP" THE**

**FIRE IN THIS HEATER. KEEP ALL SUCH LIQUIDS AWAY FROM THE HEATER WHILE IT IS IN USE.**

## Operation of cooking holes

Cooking holes have removable covers so that you can take them off and put skillets directly over the heat from the smoke. To take off the covers, you have to use the handle provided for this purpose. It is set in the storage hole at the right hand of the stove to keep it relatively cold.

To open a cooking hole:

- 1) Take the handle from its storage hole at the right of the stove.
- 2) Insert the end of the handle into the opening of the cooking hole cover.
- 3) Tilt the handle to the outside and lift up the opposite side of the cooking hole cover.
- 4) Lift the cover and place it by the hole.
- 5) Bring back the handle into the storage hole.
- 6) Put your cooking pan over the cooking hole to cover the entire hole.

To close the cooking hole:

- 1) Take the cooking hole handle from the storage hole and insert the end of the handle into the opening of the cooking hole plate.
- 2) Bring back the cover to the cooking hole.
- 3) Put back the handle in the storage hole.

### WARNING:

- **DO NOT SUPPLY WOOD TO FIRE FROM THE COOKING HOLE.**
- **THE COOKING HOLE COVERS MUST BE IN PLACE AT THE MOMENT OF LIGHTNING AND AS LONG AS THE CHIMNEY IS COLD.**
- **IF THE COOKING HOLE COVERS ARE HOT, LEAVE THEM ON THE SURFACE OF THE STOVE.**
- **TO AVOID SKIN BURN, NEVER LEAVE THE COOKING HOLE HANDLE ON THE STOVE AND STORE IT IN THE STORAGE HOLE.**
- **AVOID USING NON-STICK COOKWARE DIRECTLY OVER THE COMBUSTION CHAMBER. THEY ARE NOT RESISTANT TO THE EXTREME HEAT FROM THE COMBUSTION CHAMBER AND THEY CAN BE DAMAGED.**

## Storage of the cooking hole handle

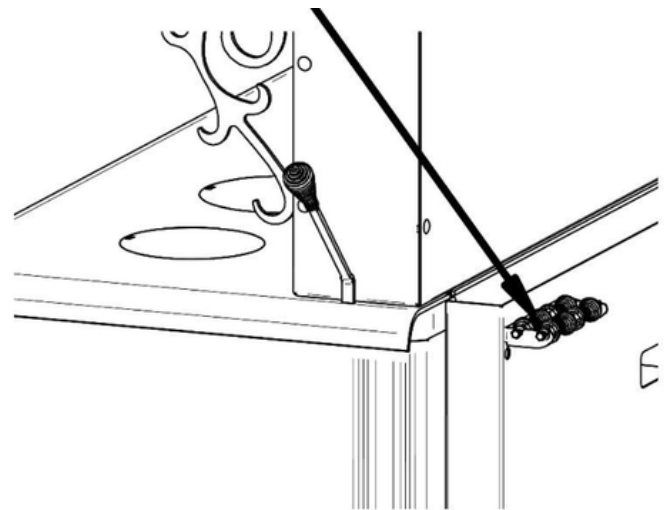
Cooking holes handle is set into the storage hole at the right part of the stove to keep it relatively cold.



## Storage of warming oven handle

The spring handles of warming oven are removable. You must store them on the holder at the right back of the cook stove. If you leave them on the oven cover, you have to use insulated mitts to hold them. Preferably, use the cooking hole handle to open and close the warming oven.

**ATTENTION:** Risk of burns if you touch directly the handles of warming oven.



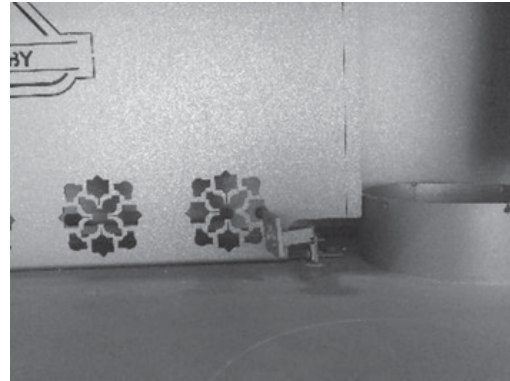
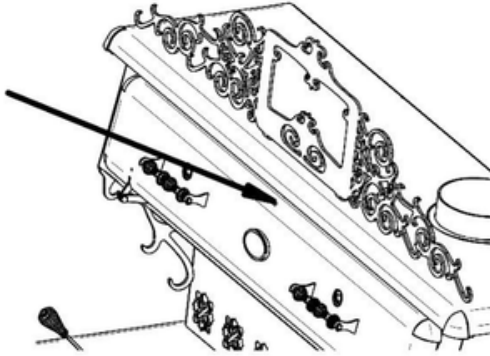
## Opening and closing of warming oven

The spring handles of warming oven are decorative purpose only. When the cook stove is hot, it is strongly recommended to use the cooking cover handle. There is an opening made for this purpose at the top of the warming oven door.

To operate the spring handle of warming oven, use isolated mitts.

### WARNING:

- **WHEN THE COOK STOVE IS HOT, THE SPRING HANDLE ON THE WARMER MAY CAUSE SKIN BURN.**



Damper close

To open and close the valve, use the cooking cover handle.

There is a thermometer installed on the glass to see the temperature of the oven.

### Wood storage

The cordwood must be store into dry place, away from bad weather. It should not be stored under or near the stove. If any wood is stored next to the stove, it must respect the minimum clearances to avoid self-ignition temperature.

41.6 inches (41.6 cm) behind

30.5 inches (30.5 cm) beside

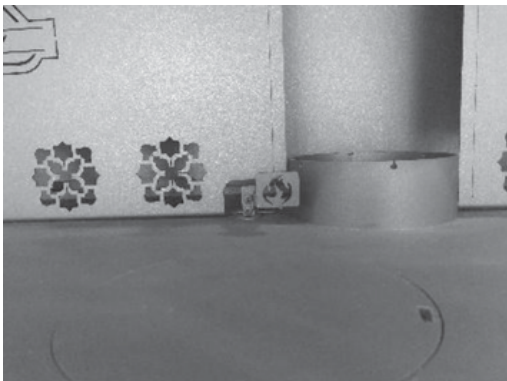
48 inches (122 cm) in front

**NEVER STORE WOOD UNDER THE COOK STOVE.**

## Usage of oven for cooking

The CUISINIERE cook stove can cook food in the oven part. The heat is transferred from the wall between the stove and the oven. To accelerate the heating, there is a deflection damper right by the chimney collar which allows smoke to warm up the back and the top of the oven.

When the handle is at the open position (you see the flame on the deflection damper), the smoke goes directly towards the chimney. When at the closed position you will no longer see the flame (the deflection damper is turned completely to the left), the smoke goes at the back and at the bottom of the oven.



Damper open

# Maintenance

## Ash Removal

The wood burning make some residual called ash and it must be removed from the combustion chamber to help oxygen circulation.

The ash have to be removed periodically every 2 or 3 days during heavy warming period. Never leave excessive accumulation into the combustion chamber because it can reduce performances of your stove by limiting the air circulation between logs.

The best time to remove ash is after a long warming period, as in a morning, when the stove is relatively cold enough to manipulate ash and the chimney is still hot. The hot chimney draft will vacuum the dust inside the stove.

To remove ash from the combustion chamber, you must have the following tools:

- Metal ash shovel.
- Ash brush.
- A metal bucket with airtight lid or similar product for this purpose.

Some embers are mixed with ash and remain lit a few hours or even a few days. It is therefore very important that the metal bucket has an airtight lid. The bucket must be put on a non-combustible tile or brick.

To clean the combustion chamber, use the small metal shovel to remove most of the ashes and embers and place them in your ash container.

## Ash Disposal

Some embers are mixed with ash and can remain lit. If embers have enough oxygen, it can stay lit some hours and even some few days.

It's therefore mandatory to store ash:

- In a hermetic metal container with an airtight lid,
- Outside the house on a non-combustible material,
- Far enough any combustible material, inflammable liquid and vapor.

If the ash is disposed of by burial in soil or otherwise locally dispersed, they should be retained in the closed container until all cinders have thoroughly cooled.

**NEVERPUTWASTEINTOTHEASH CONTAINER.**

## Creosote Formation

When wood is burning slowly, it produces tar and other organic vapors which are combined with expelled moisture to form creosote. The creosote vapor is condensed in the cold chimney and, as a result, creosote residue accumulates on the flue lining. When it burns, the creosote releases intense heat and it might result in a chimney fire.

The chimney connector and chimney should be inspected at least once every two months during the heating season to determine if a creosote buildup has occurred.

## Chimney Inspection

Wood moisture, wood species and the combustion quality are the factors that can influence the speed of creosote buildup into chimney and chimney connector.

The chimney and the chimney connector must be inspected at least one every two month during the warming season. You can call a Chimney sweeper to evaluate the creosote formation or you can do it yourself. Extinguish the wood stove and wait until it gets cool. Then unscrew the chimney connector to verify it. Inspect the factory build chimney with a spot light to see if a creosote buildup has occurred. For a masonry chimney, insert a mirror in the cleanout opening at the bottom. For an outdoor factory build chimney, open the cap at the bottom of chimney to inspect inside. It is preferable to do the inspection on a sunny day so that you would have enough light.

With creosote buildup of 1/8 inch (3 mm) or more, the diameter gets so small that you cannot see the chimney cap. It's a sign that it is time to sweep your chimney and remove creosote in order to avoid a chimney fire.

## Chimney Sweeping

Chimney Sweeping needs special tools like some glass fiber rods and a suitable brush to the chimney's diameter.

It also requires to go up on the roof to remove the chimney cap and even a part of the chimney in case that your chimney exceeds 5 feet from the roof.

We recommend to call a Professional chimney Sweeper certified by APC in Quebec, the WETT in the rest of Canada.

## Door maintenance

The door is the mobile element that need a special attention. Its tightness is primordial. If you see the white soot sticking on the door glass and on the surface where the air passes, it is the time to change the braided glass fibre rope.

### Air Tighten Adjustment

If the braided glass fiber rope still seems good enough but little flatten, it needs probably to be stuck against the door.

#### Door adjustment (hinges side)

**Important:** To keep squareness of the door, keep the door locked and loosen only one hinge at a time.

- 5) Loosen lightly upper hinge
- 6) Push the door against the stove so that the glass fibre rope is flattened.
- 7) Keeping the door pressed against the stove, tighten the upper hinge.
- 8) Loosen lightly lower hinge.
- 9) Push the door against the stove so that the glass fibre rope is flattened.
- 10) Keeping the door pressed against the stove, tighten the lower hinge.
- 11) Open the door and slide a piece of paper in the gap in the door, then close the door.
- 12) If you can easily pull out the paper without tearing, please repeat the previous steps.
- 13) Even after several attempts, if the paper comes off easily, the braided glass fiber rope must be changed.

#### Door adjustment (right side)

You can do this adjustment with the screw under the door near the hook hole.

- 1) Unlock and open the door.
- 2) With a square-headed screwdriver, turn clockwise the adjustment screw a quarter turn.
- 3) Put a piece of paper between the stove and braided glass fiber rope, then close and lock the door.
- 4) If the paper easily comes out when you pull it, repeat step 1 to 3 again.
- 5) If the screw is completely tightened and the paper comes out easily, you have to change the braided glass fiber rope.

Some models might have two screws apart on the front face. These must not be unscrewed in any case. They hold the rolling mechanism to lock the door.

## Cleaning up glass

To clean the door glass, J.A. Roby Inc. recommends using products for this purpose or an oven cleaner only for glass part.

- Avoid cleaning hot glass and cleaning with abrasive. Cleaning hot glass can cause a thermal shock and brake the glass.

## Disassembly and reassembly of door

Do not unscrew the lower hinge when disassemble the door.

- 1) Keep the door locked.
- 2) Loosen the upper hinge without removing the nut.
- 3) Unlock the door and open it while holding it.
- 4) Tilt the door slowly downward to remove the upper hinge
- 5) Lift the door and remove the lower hinge.

Installing the door

- 1) Insert the bottom hinge and bring up the door. Place the nail in the upper hinge.
- 2) Close and lock the door, then make sure the door is placed horizontally.
- 3) Tighten the upper hinge and align the washer with the hinge support.
- 4) Carry out the air tighten adjustment.

## Replacing broken glass

- **Do not hit the glass to avoid breaking it.**
- **Do not pour water. It might cause thermal shock.**
- **Do not slam the door.**
- **Do not build fire too close the door.**

**WARNING: NEVER USE THE STOVE WHEN THE GLASS IS BROKEN OR CRACKED.**

Replace only with a 4 mm ceramic glass with the right shape. Contact your retailer to get the replacement glass panel.

**DO NOT USE SUBSTITUTE**

How to replace the glass

- 1) Loosen partially the screws retaining the four glass supports.
- 2) Remove the broken pieces of glass and clean the door.
- 3) There must be a flat glass fibre rope for airtightness around the glass. You have to install new one in case of loss or damage. The flat glass fiber rope is self-adhesive. Stick it around the glass without pressing it excessively.
- 4) Install the new glass panel and replace the lower support first and gently tighten screw. If you tighten it too much, it might make a pressure point and break the glass when it becomes hot. Then press gently the glass fibre rope against the door.
- 5) Install the upper support and tighten the screws gently but not too tight.
- 6) Check all the screws.

If it is impossible to replace the glass in vertical position, you may have to remove the door. Refer to the section concerned in this manual.

## *Replacing glass fiber rope*

When the braided glass fibre rope is all flattened out, it becomes impossible to close the door hermetically. This means that the glass fibre rope is no longer usable or that the rope is damaged. You must therefore replace it.

Use a ½ inch (12.7mm) braided glass fiber rope.

It is preferable to detach the door from the stove when you replace the rope. Refer to the section concerned in this manual.

### *Glass fiber rope preparation*

- 1) Take the end of the glass fiber rope and tuck fiber inside to make a clean end.
- 2) Put little amount of high temperature sealant, such as latex or silicone, at the end of the fiber glass rope so that it won't come loose.
- 3) Remove old glass fiber rope from the door and clean the groove.
- 4) Starting from the lower corner near the hinge, put the glass fiber rope into the groove without giving any tension. Verify the length of rope.
- 5) Cut it ½ inches over the require length and repeat step 1 and 2.

### *Glass fiber rope installation*

- 1) Put a high temperature sealant in the clean groove to glue the glass fiber rope.
- 2) Place glass fiber rope into the groove starting from the lower corner near the hinge without giving any tension
- 3) Glue the two glass fiber rope ends with high-temperature sealant to make a right angle.
- 4) Let dry the sealant for at least 48 hours before use. Reassemble the door on the hinges if you uninstall it and readjust the airtightness.

## **What to do in case of Chimney Fire**

Contact your local authority to know what to do in case of Chimney fire. Keep in mind the procedure in case of chimney fire.

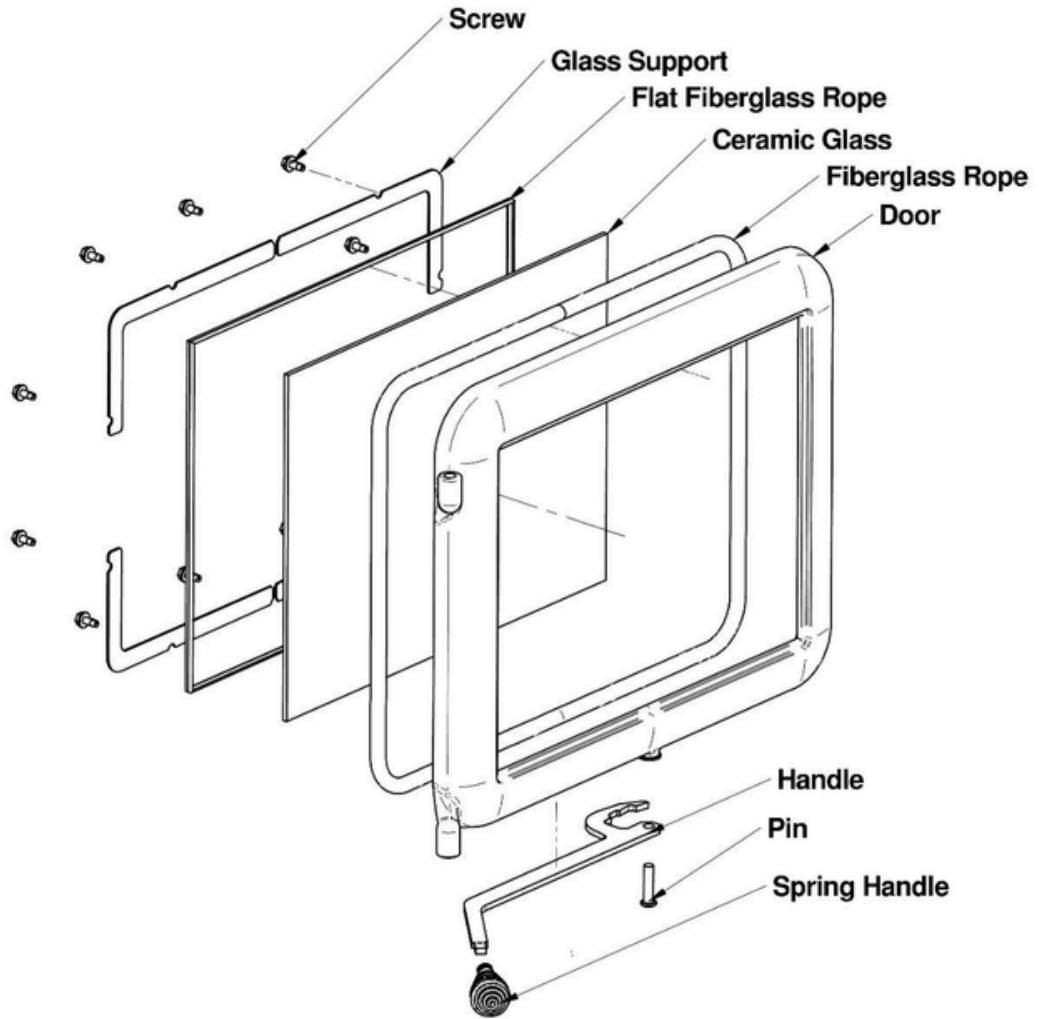
1. Close all the doors, the air intakes and the vent damper
2. Pour water on combustible material around stove.
3. Call the fire department and trigger alarm. Leave the house if necessary.
4. Never touch the chimney and pipes before the fire is completely extinguished.
5. Do not use the chimney before it has been inspected and repaired.

# Annex 1

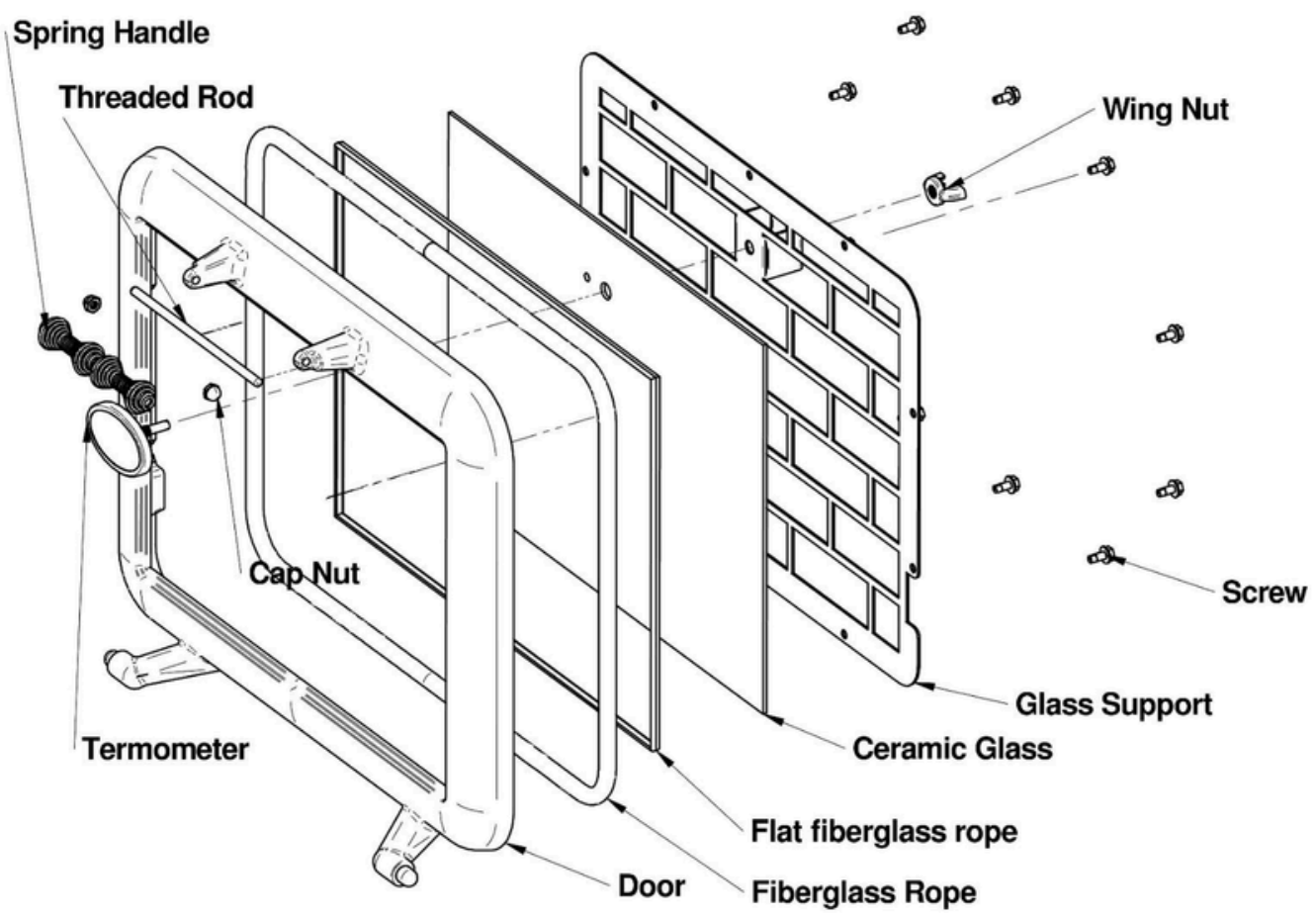
## Door assembly

### Wood Stove Door

\*The same assembly for an arc woodstove



# Oven Door



## **Annex 2**

### **Replacement parts**

- Bricks
- Stove ceramic glass
- Tempered glass oven door
- Spring Handle
- Stove door
- Oven door
- Fans
- Flat glass fiber rope (around glass)
- Round glass fiber rope
- Ash plug
- Slotted Brick Washer

Call your sales representative to order these parts.